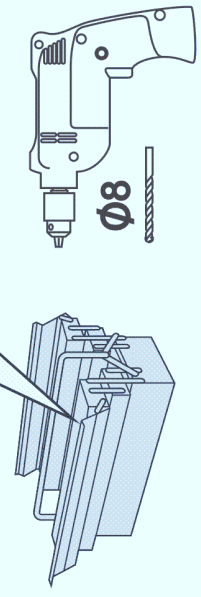
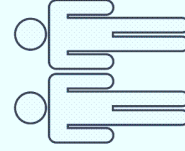
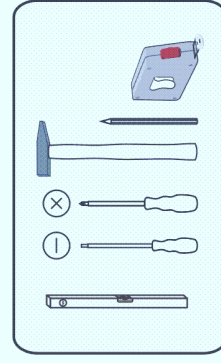
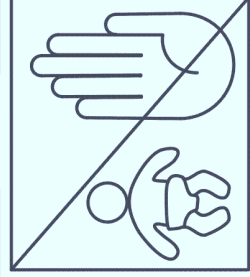
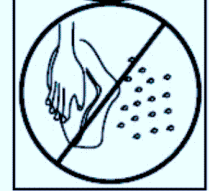
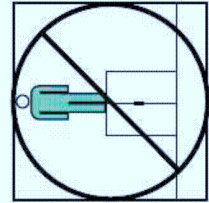
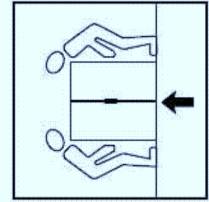
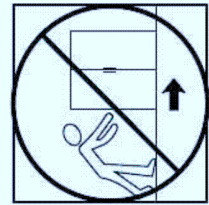
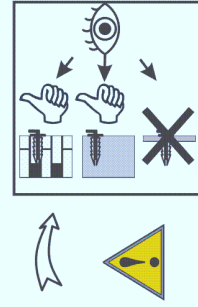
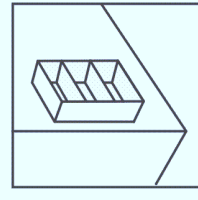
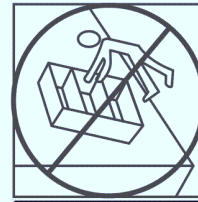
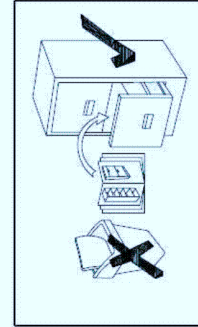
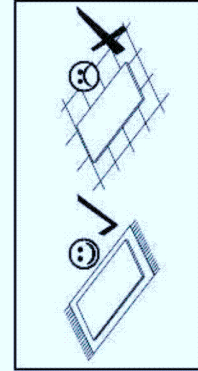
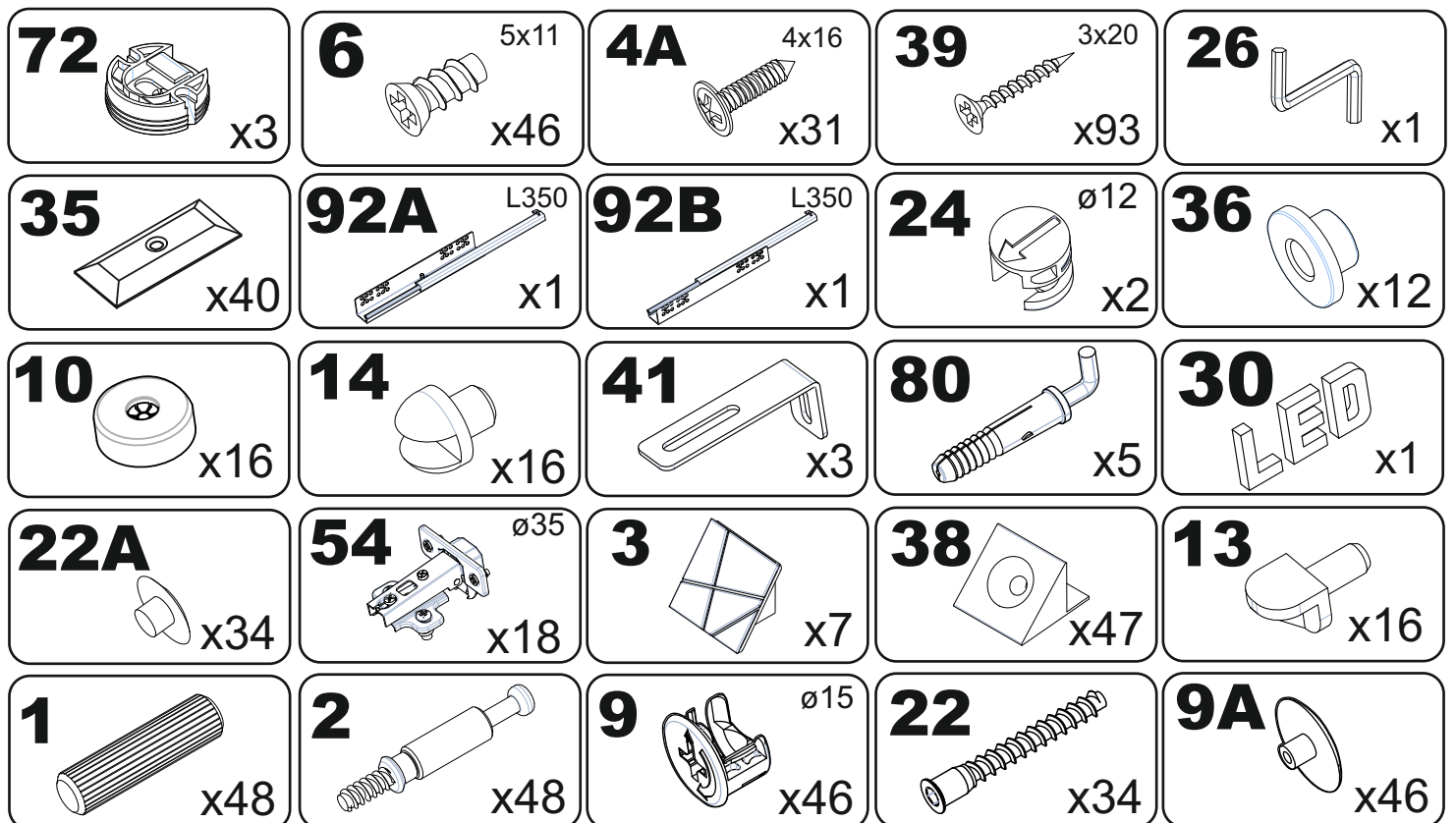
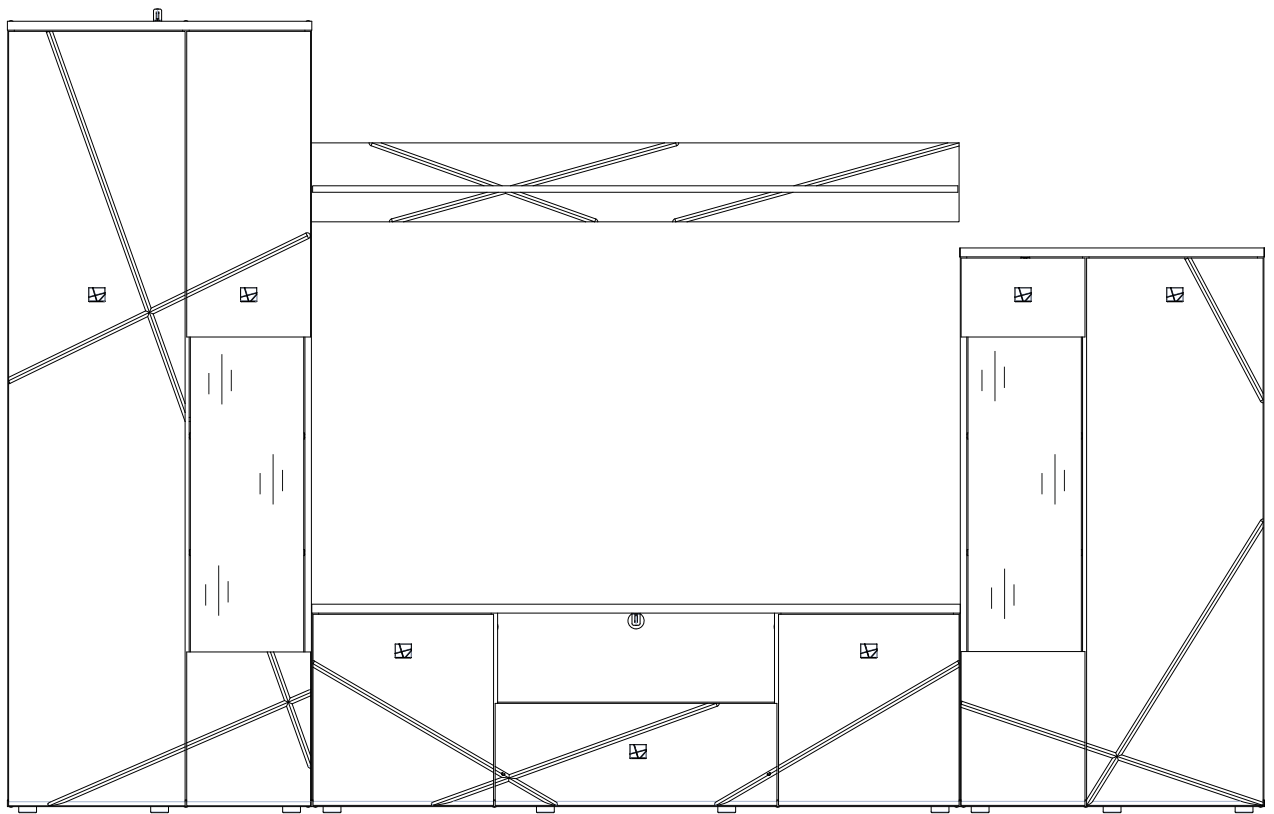
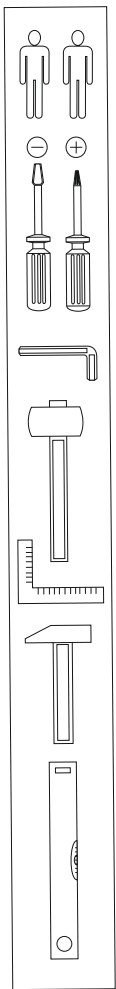
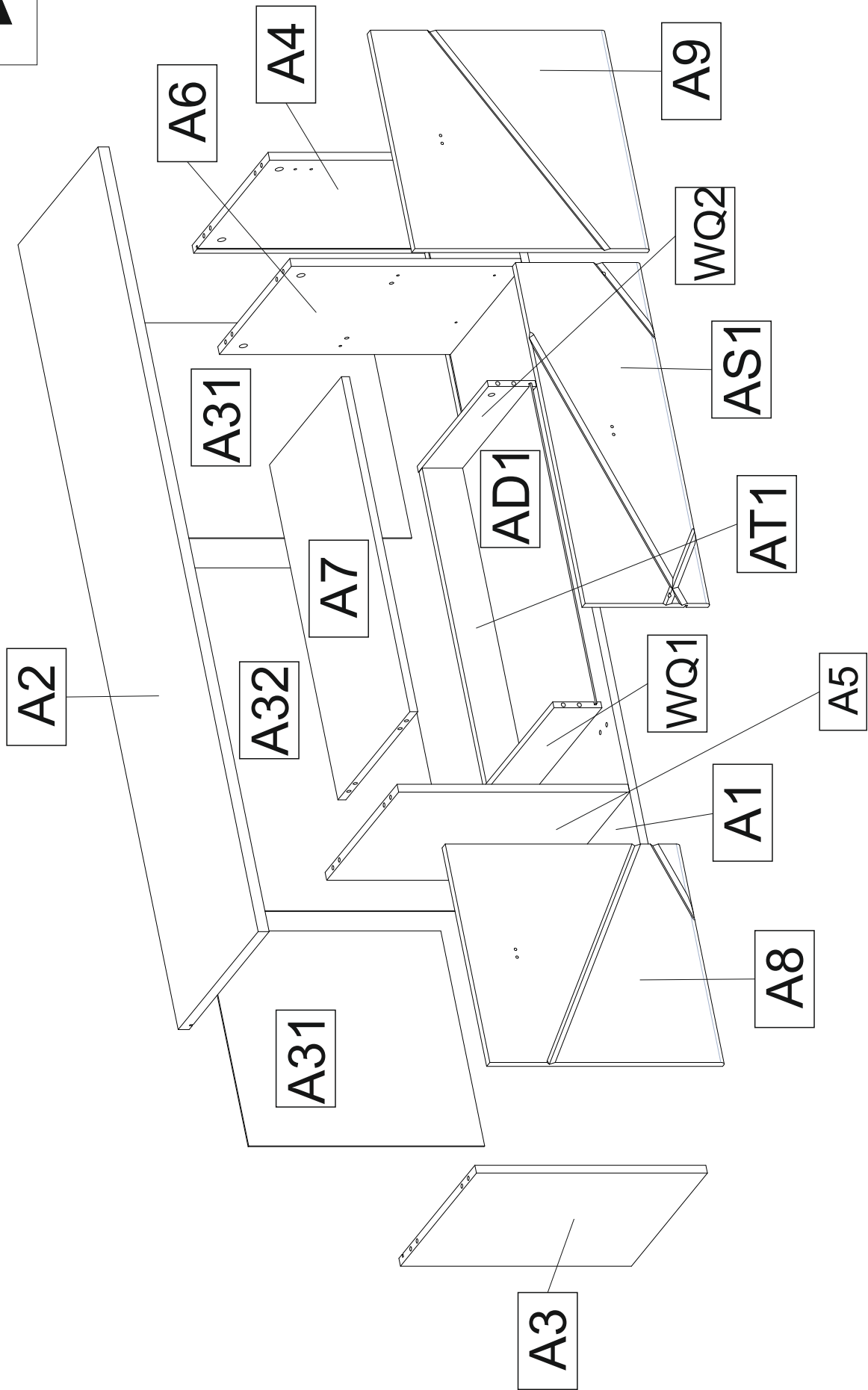


360 min



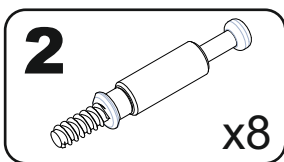


A



1

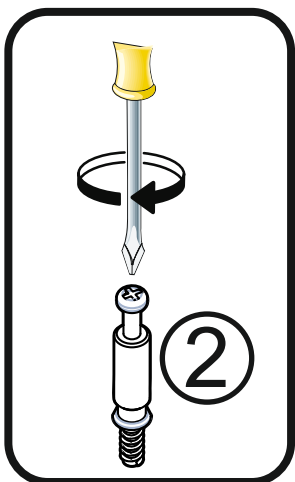
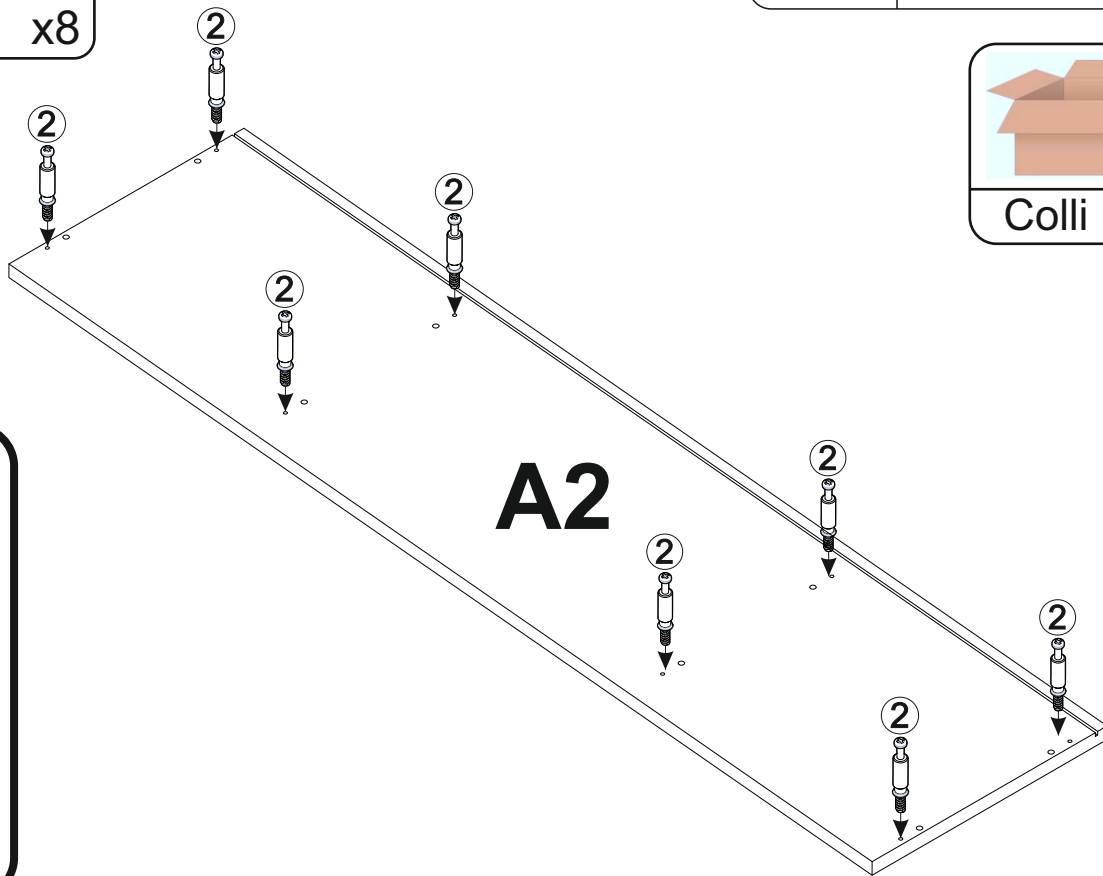
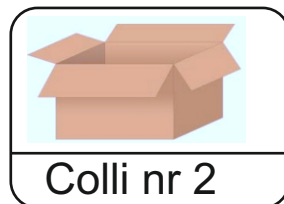
2



x8

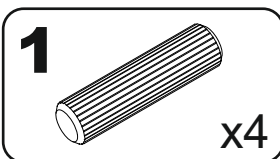
A2

1602x400



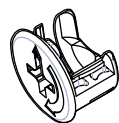
2

1



x4

9



x2

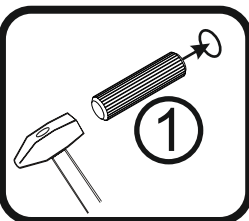
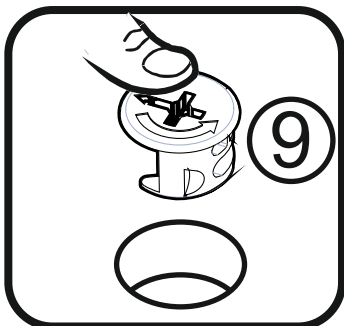
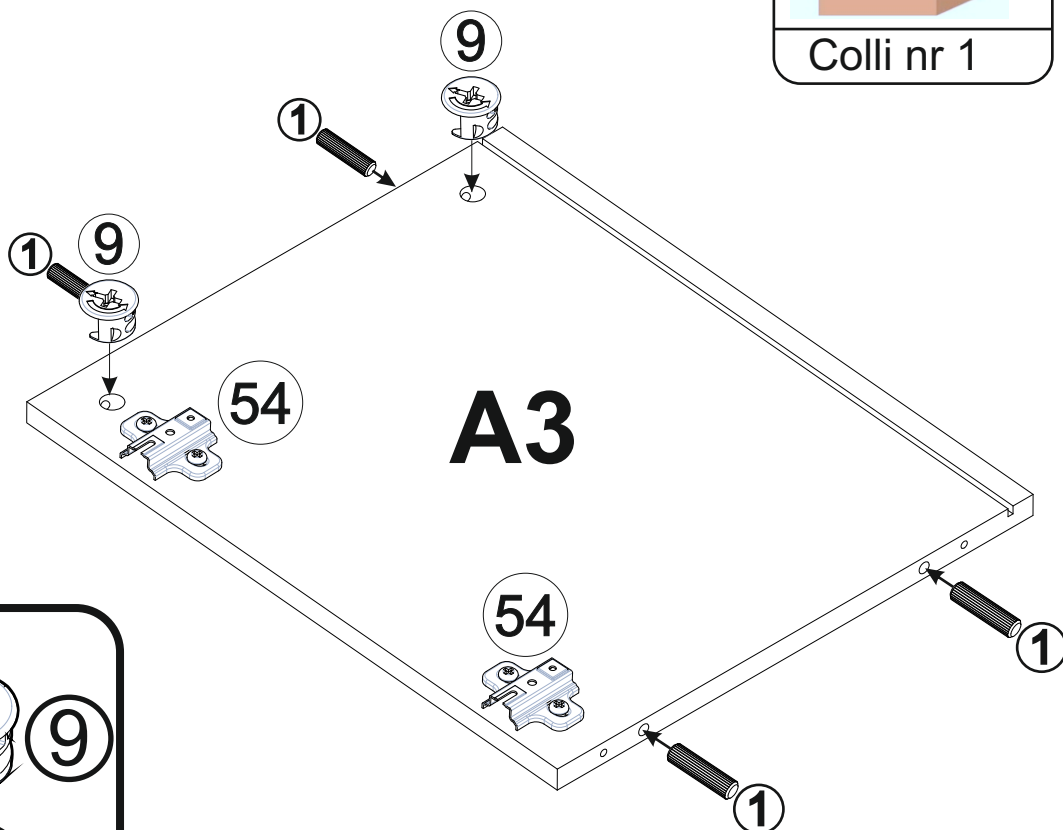
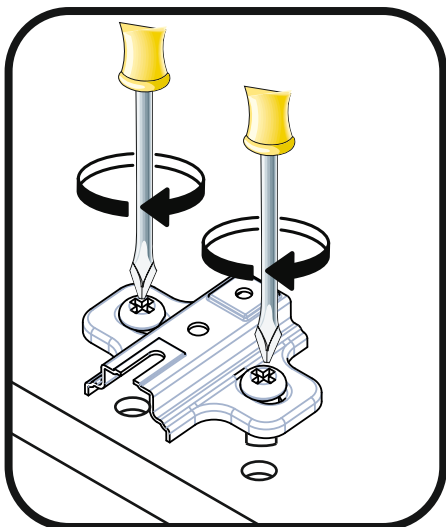
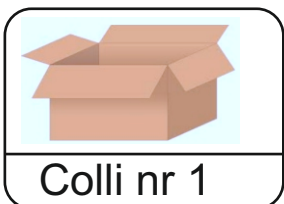
54



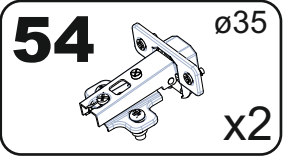
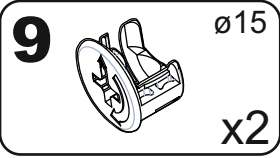
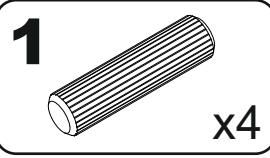
x2

A3

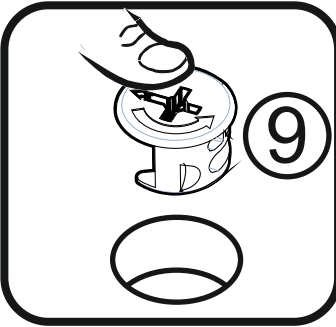
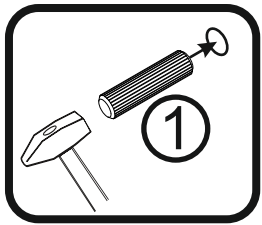
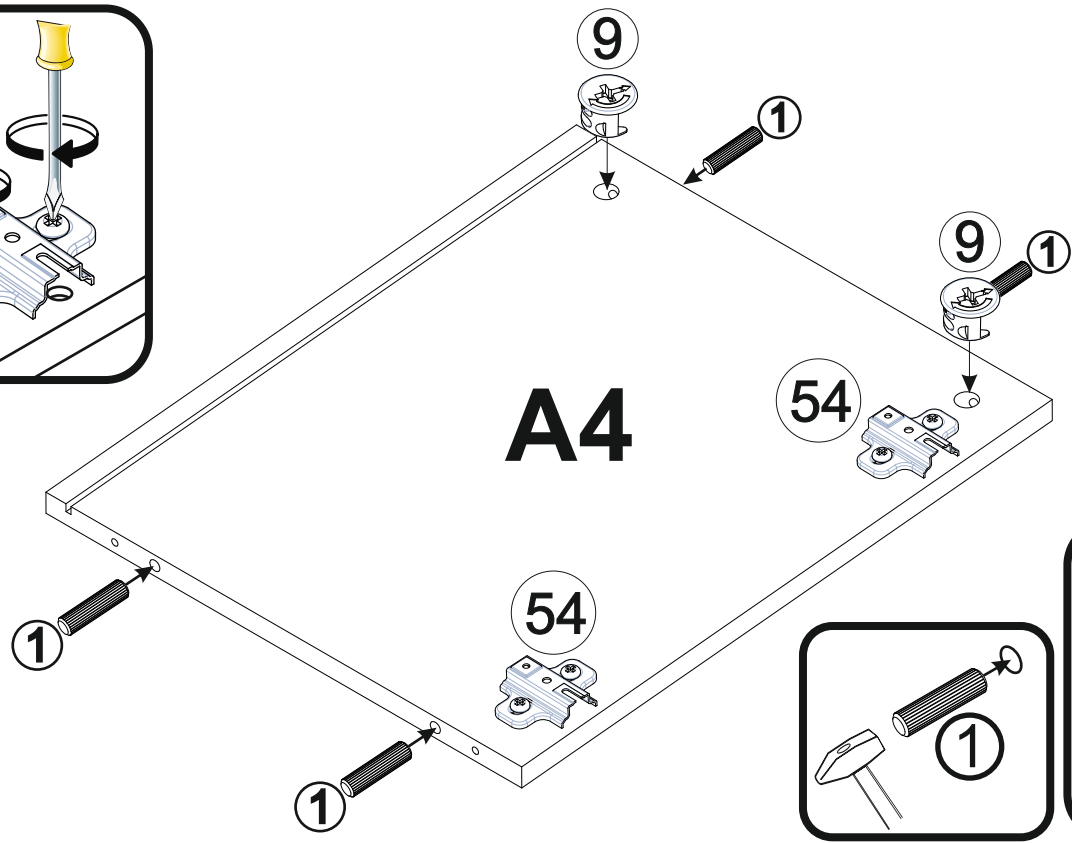
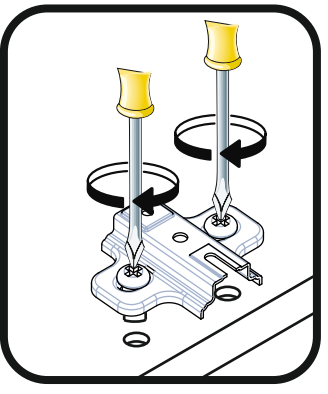
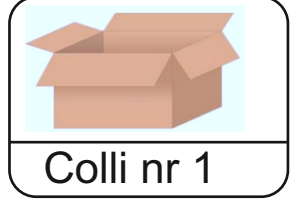
462x380



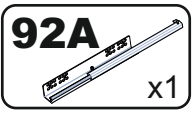
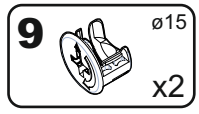
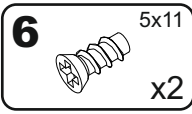
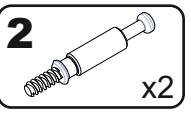
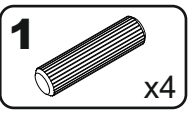
3



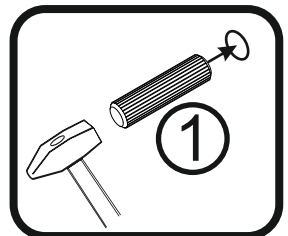
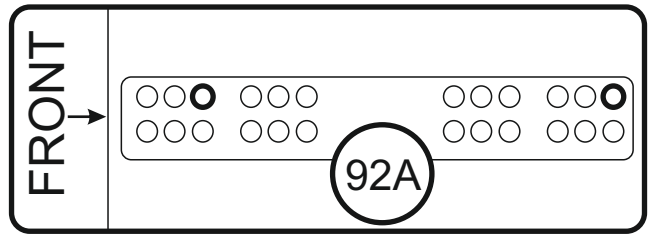
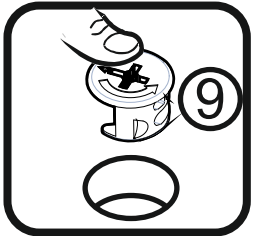
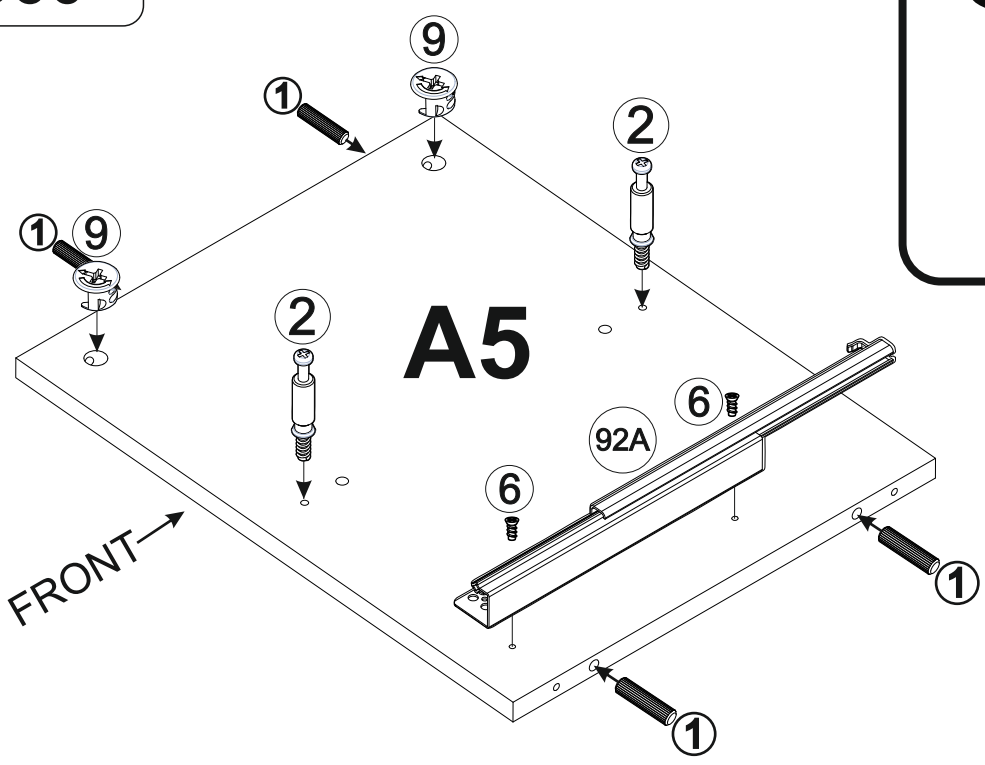
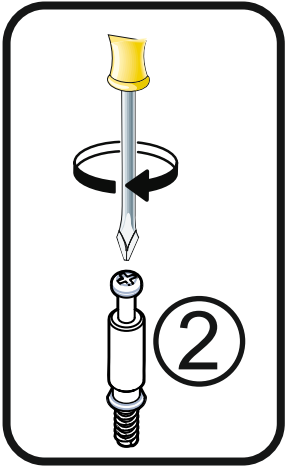
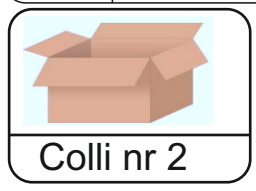
A4 462x380



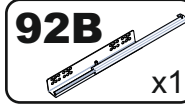
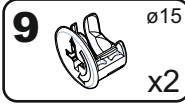
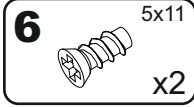
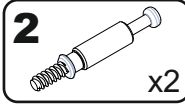
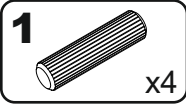
4



A5 462x360

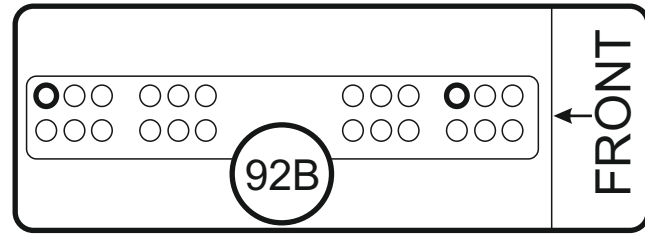
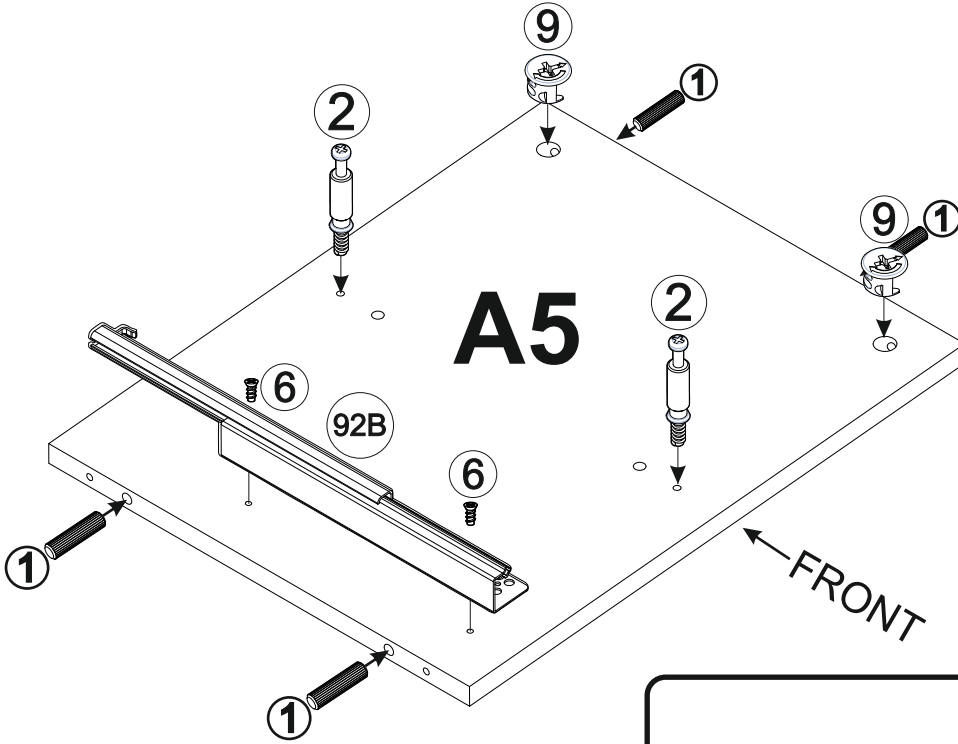
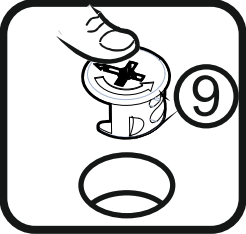
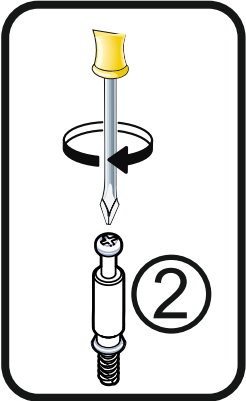
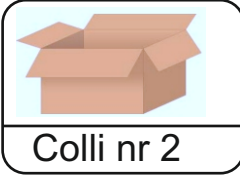


5

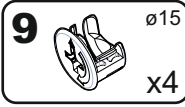
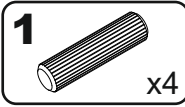


A6

462x360

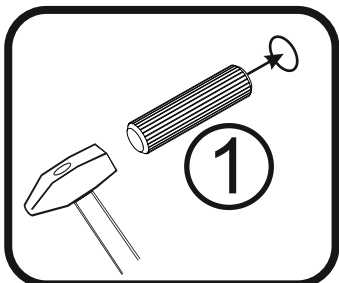
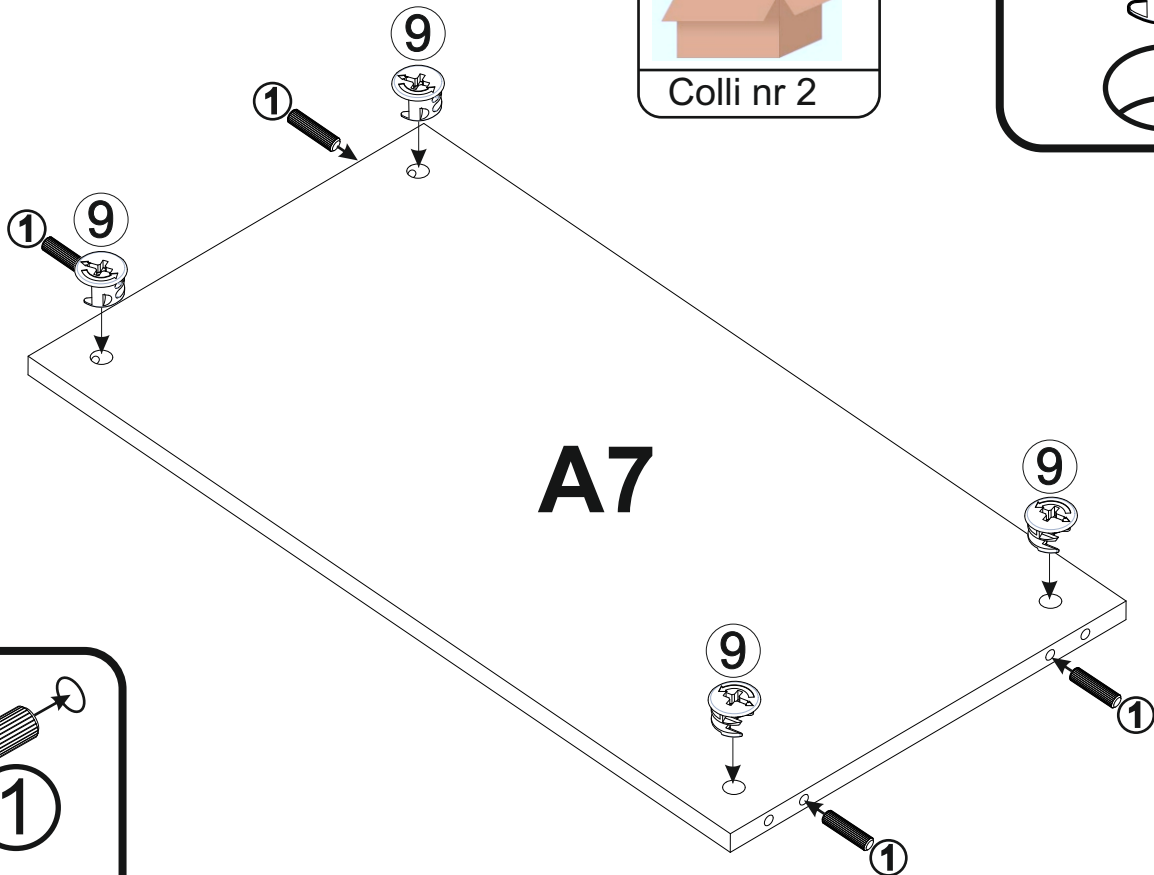
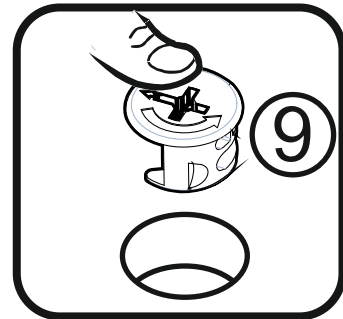
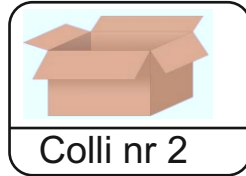


6



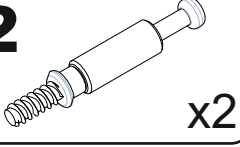
A7

684x360



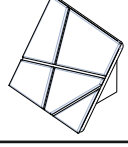
7

2



x2

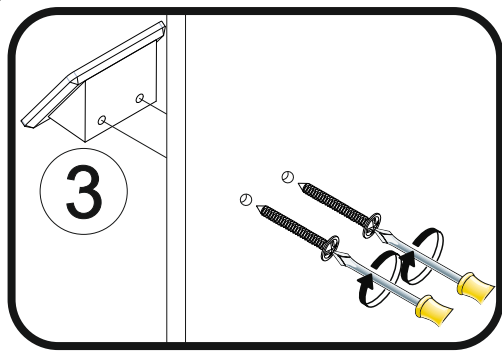
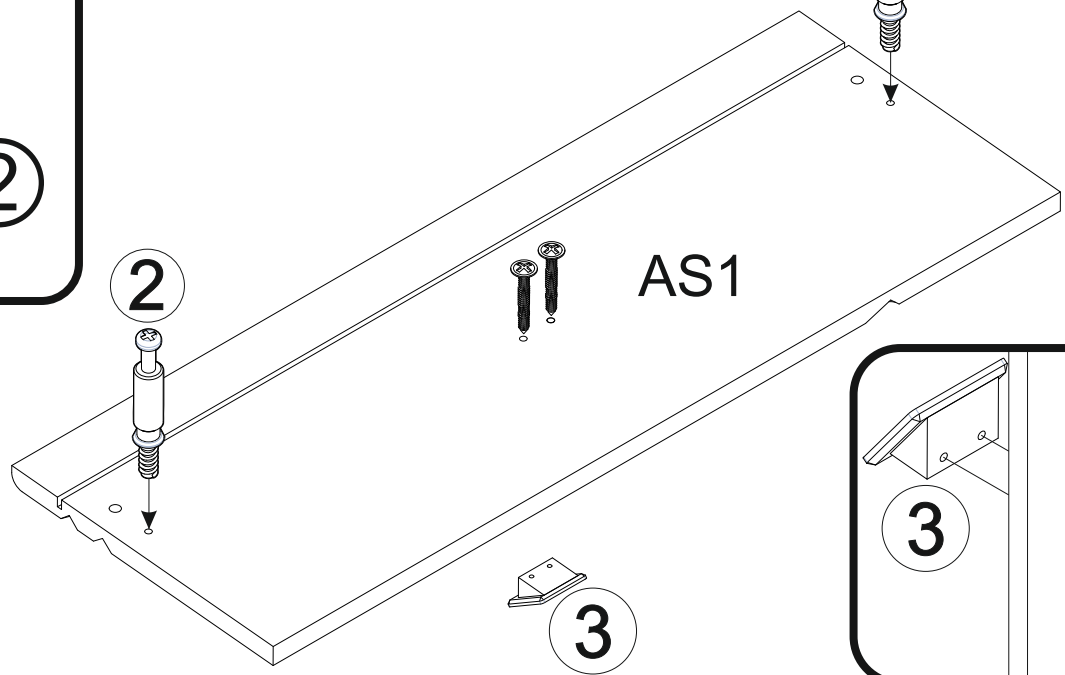
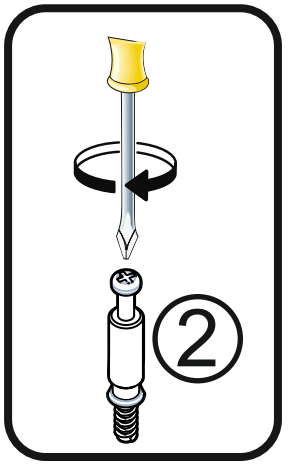
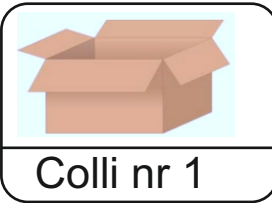
3



x1

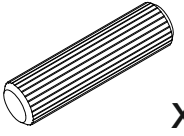
AS1

696x252



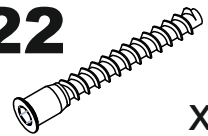
8

1



x4

22



x2

24



ø12

x2

AT1

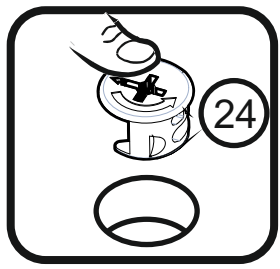
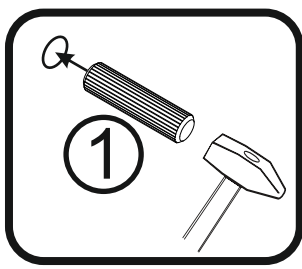
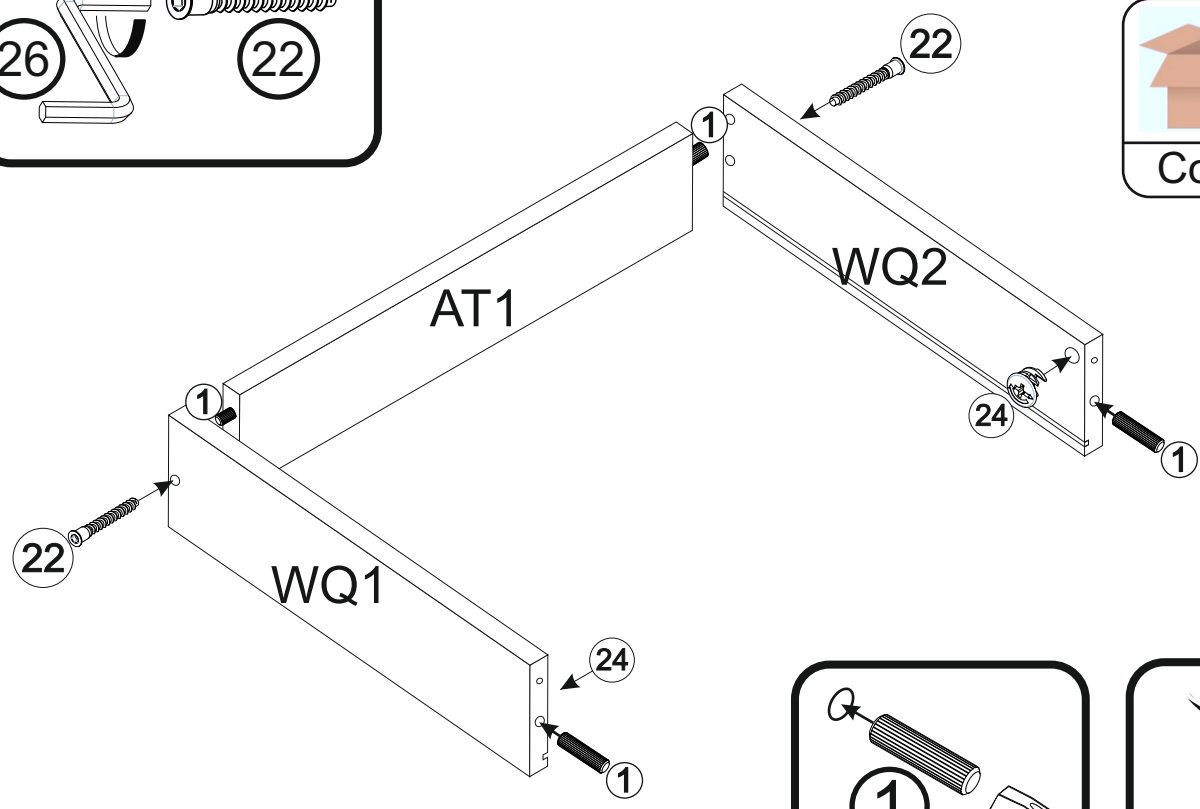
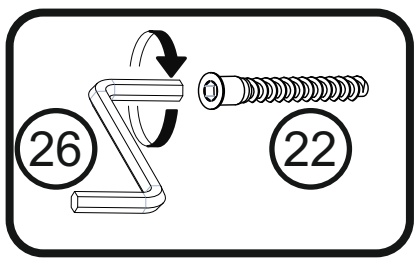
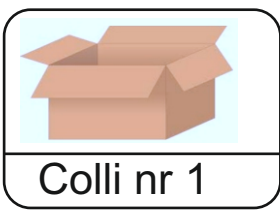
644x82

WQ1

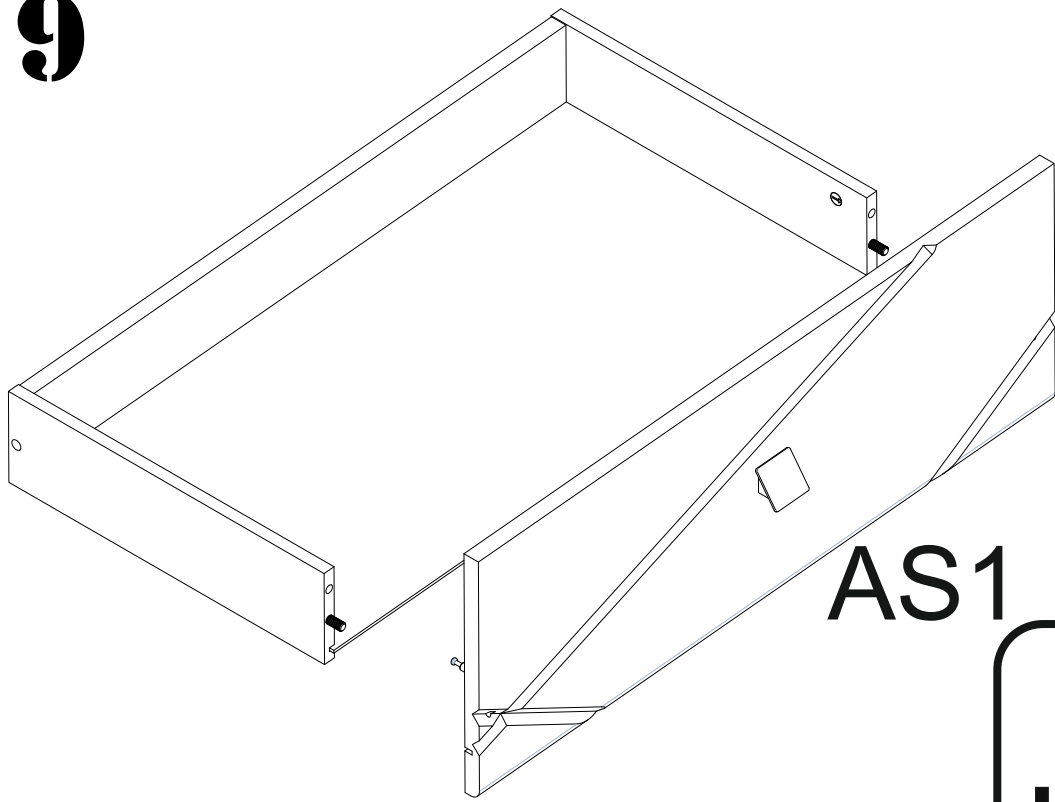
350x96

WQ2

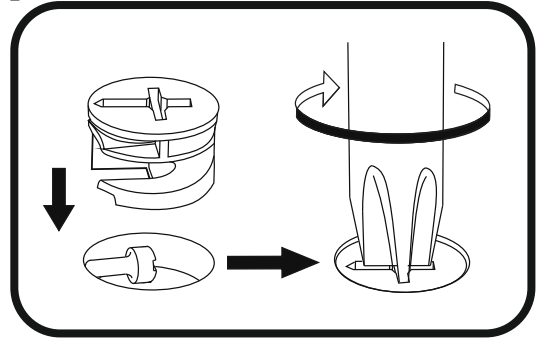
350x96



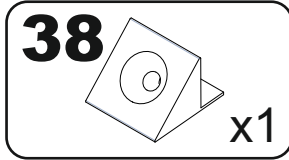
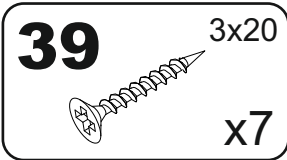
9



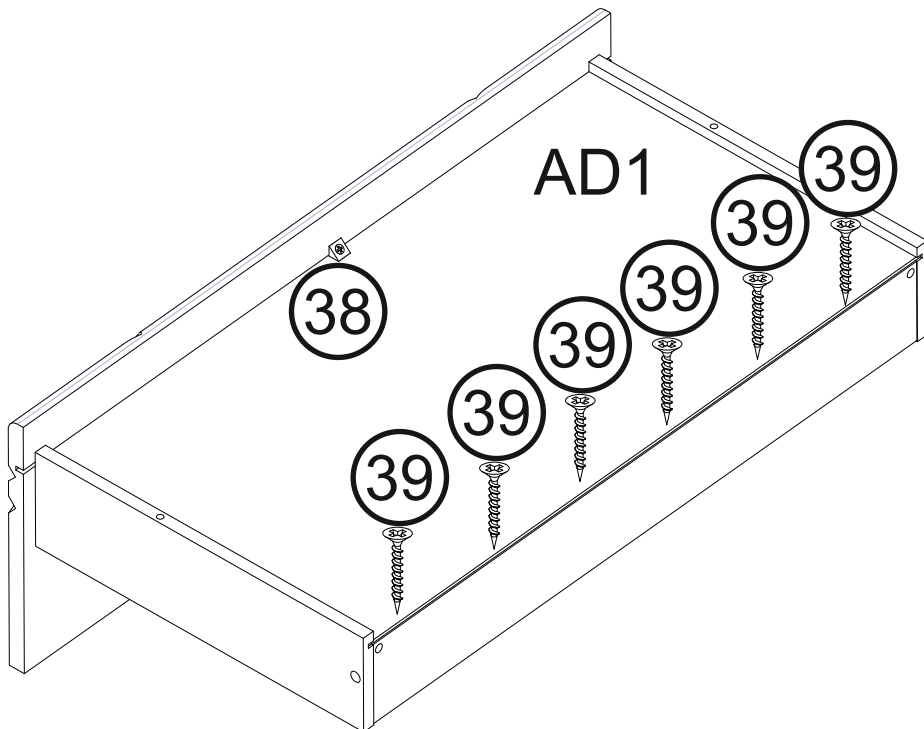
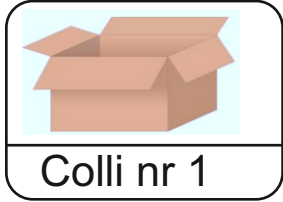
AS1



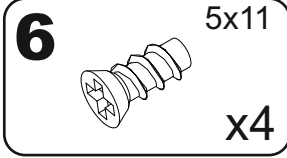
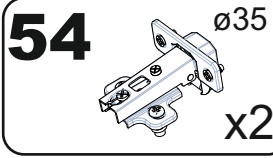
10



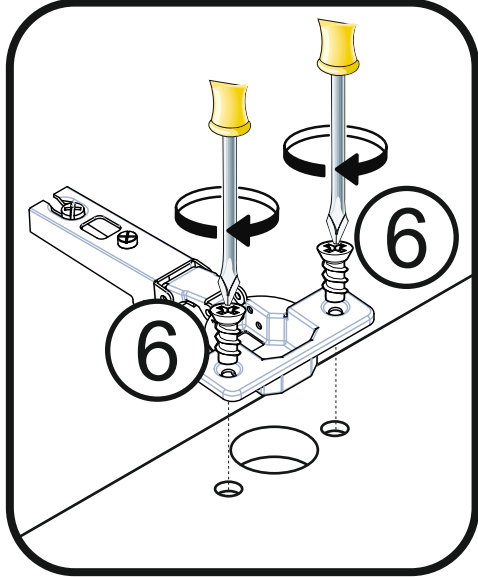
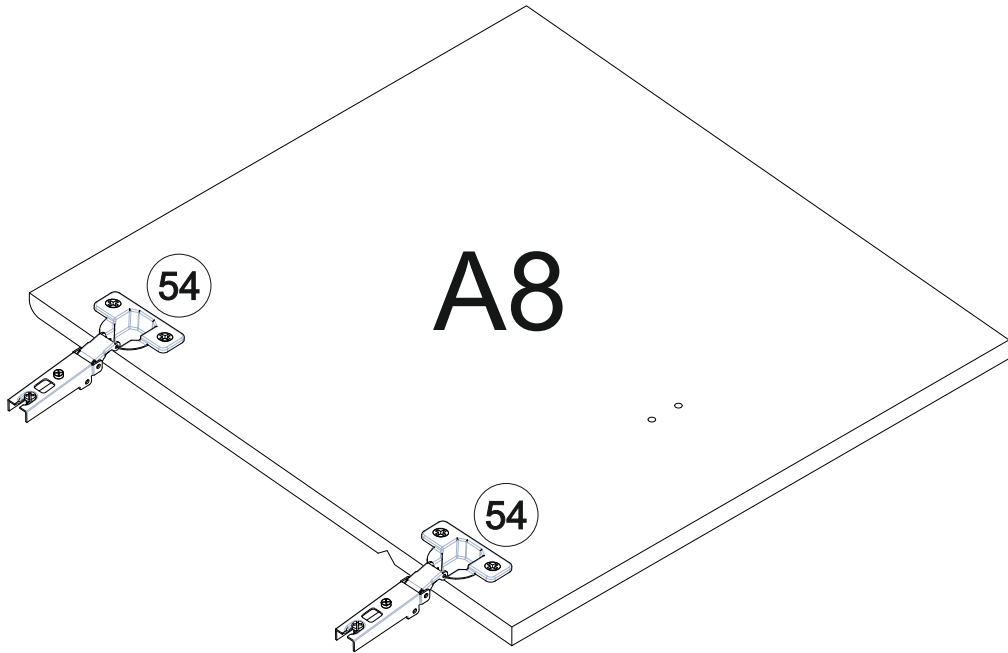
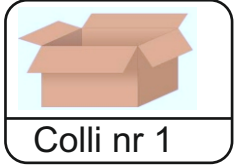
AD1 654x353



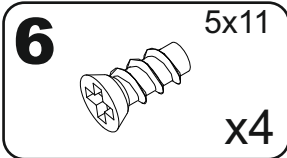
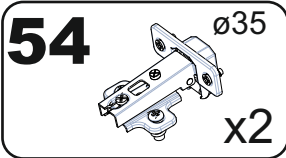
11



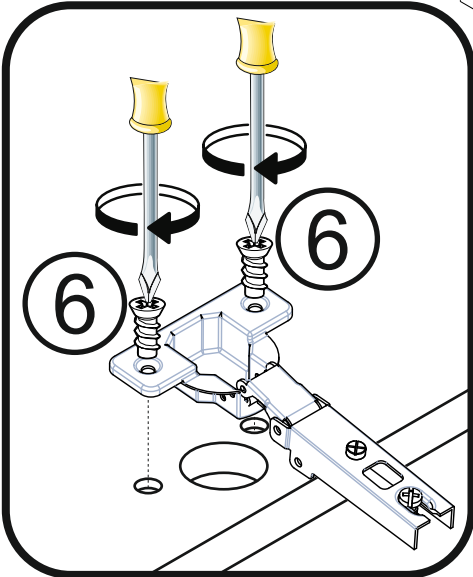
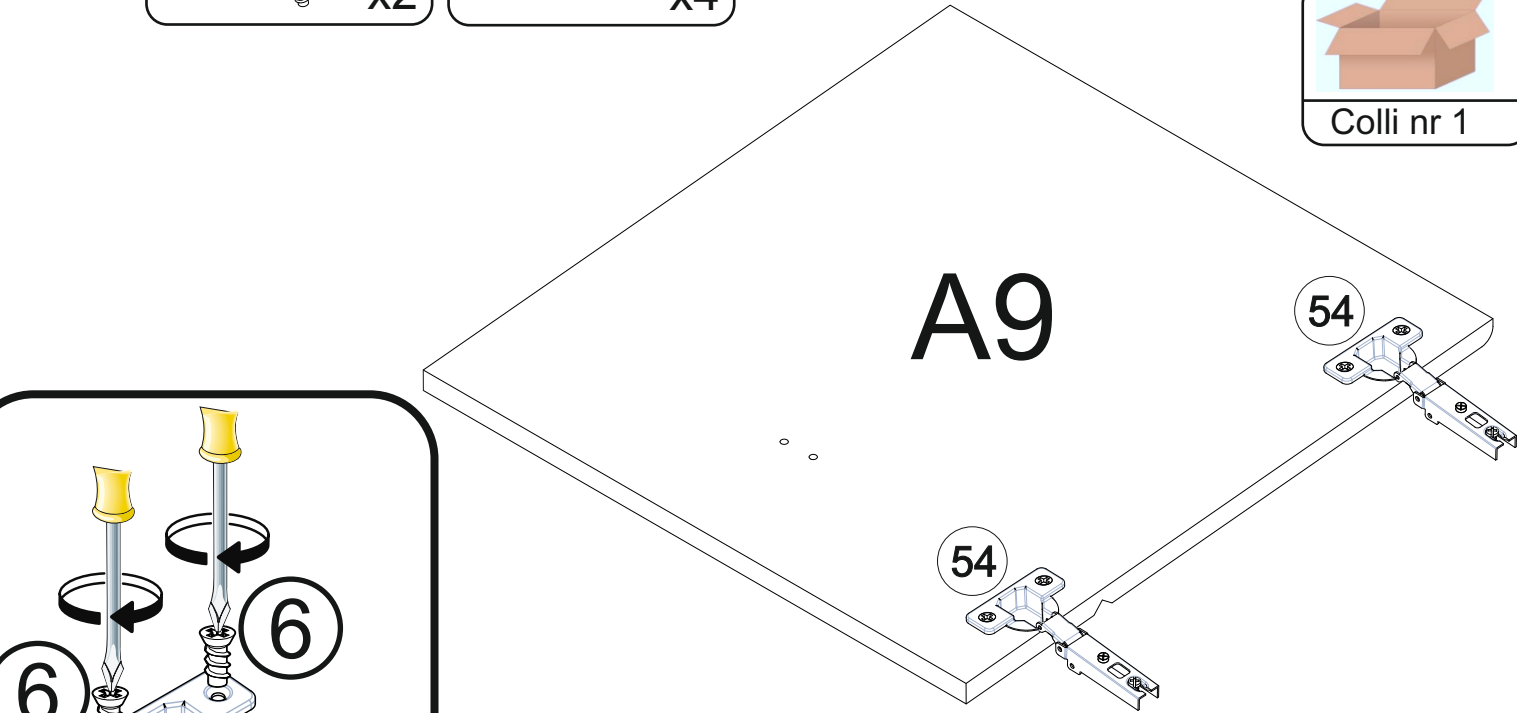
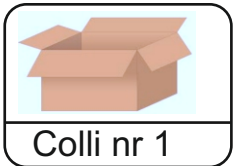
A8 446x472




12

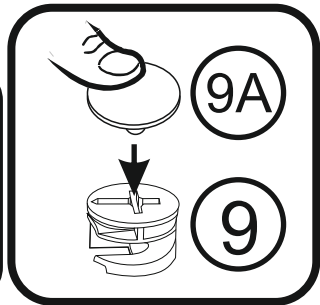
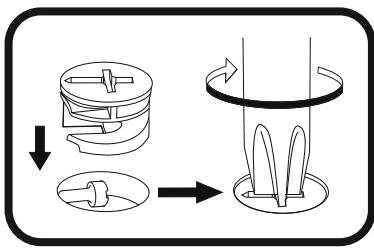
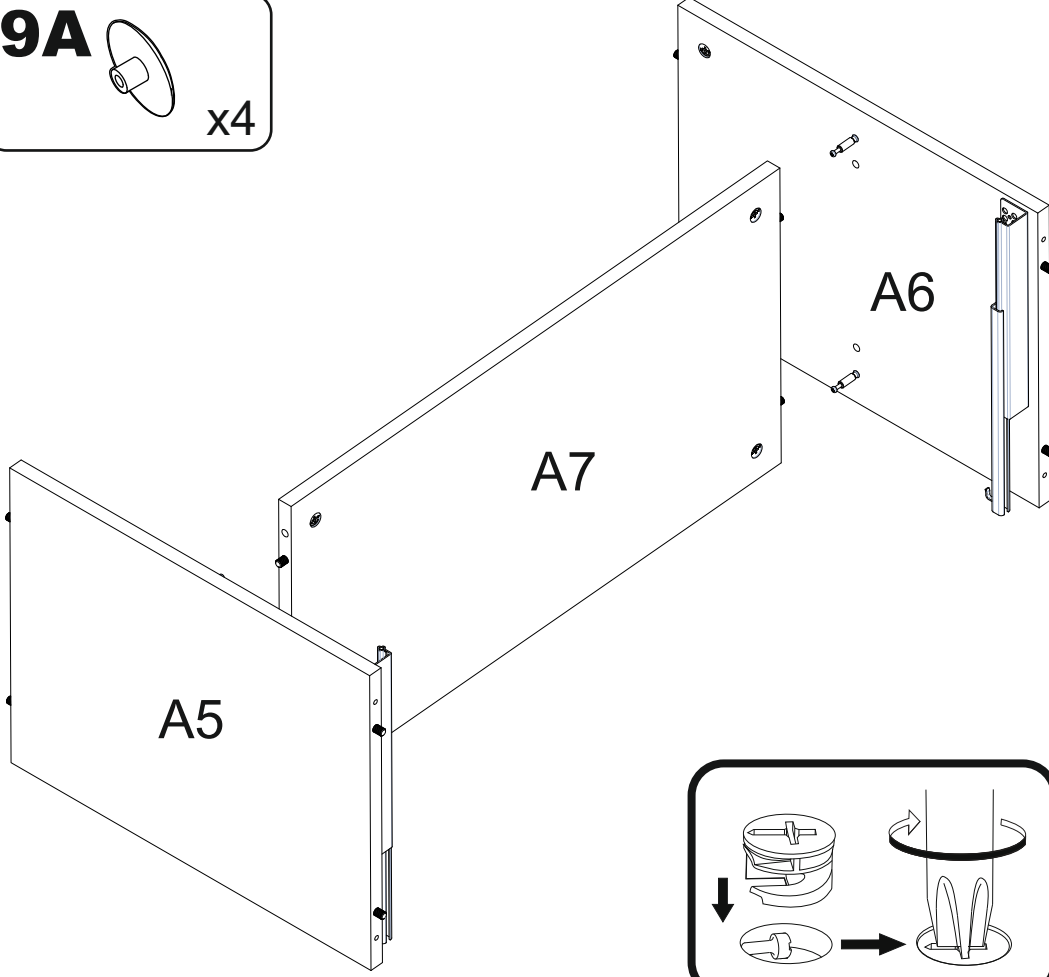


A9 446x472




13

9A  x4

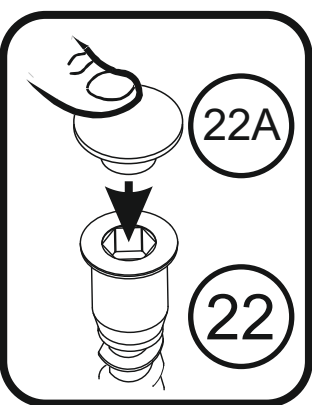
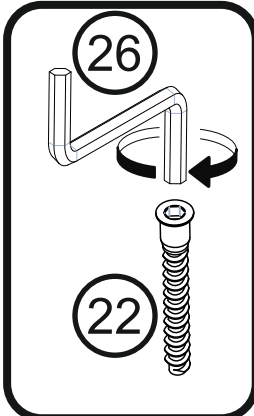
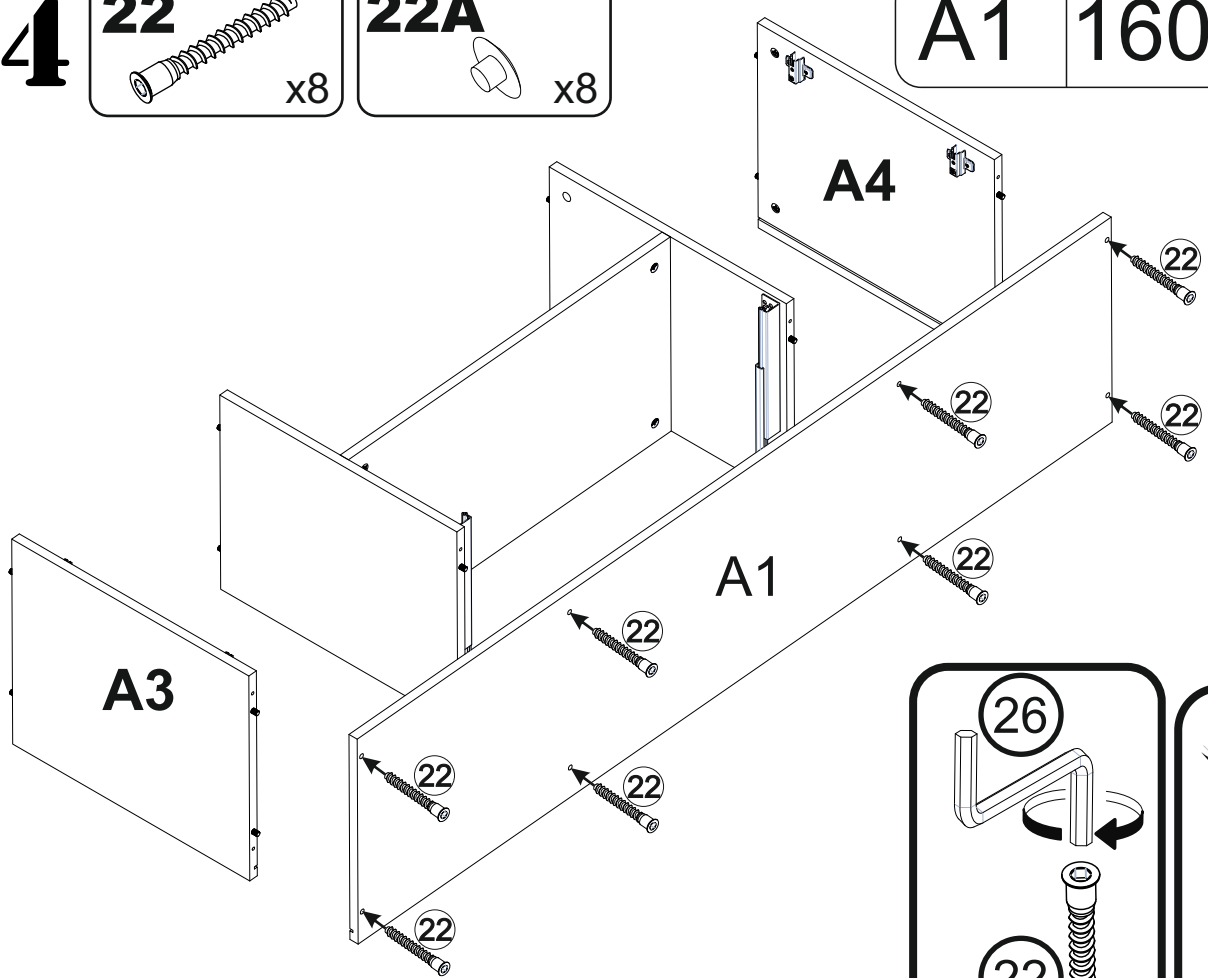
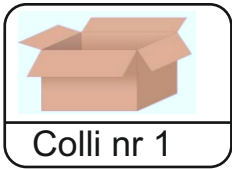


14

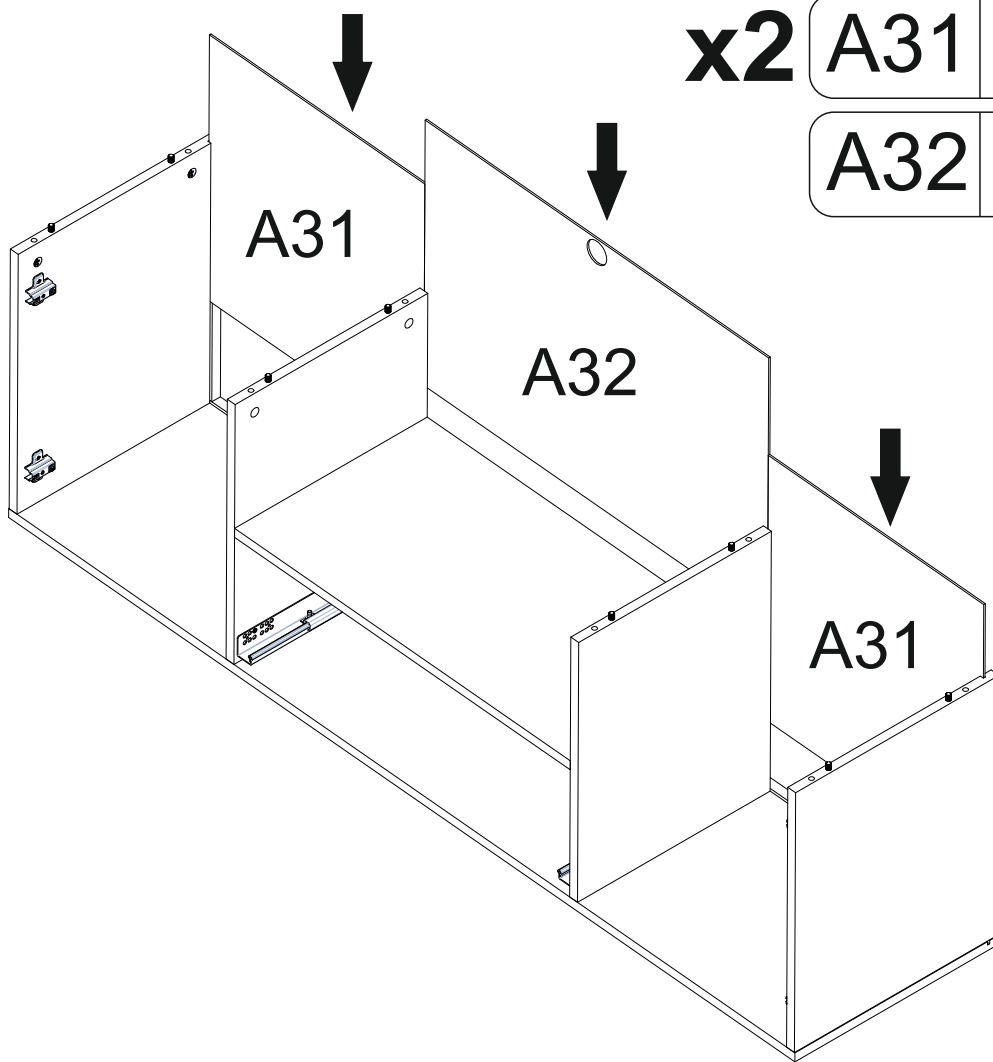
22  x8

22A  x8

A1 1602x380



15



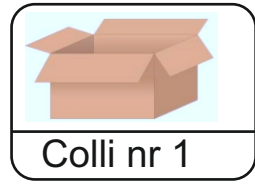
x2

A31

439x472

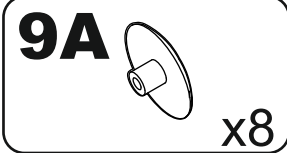
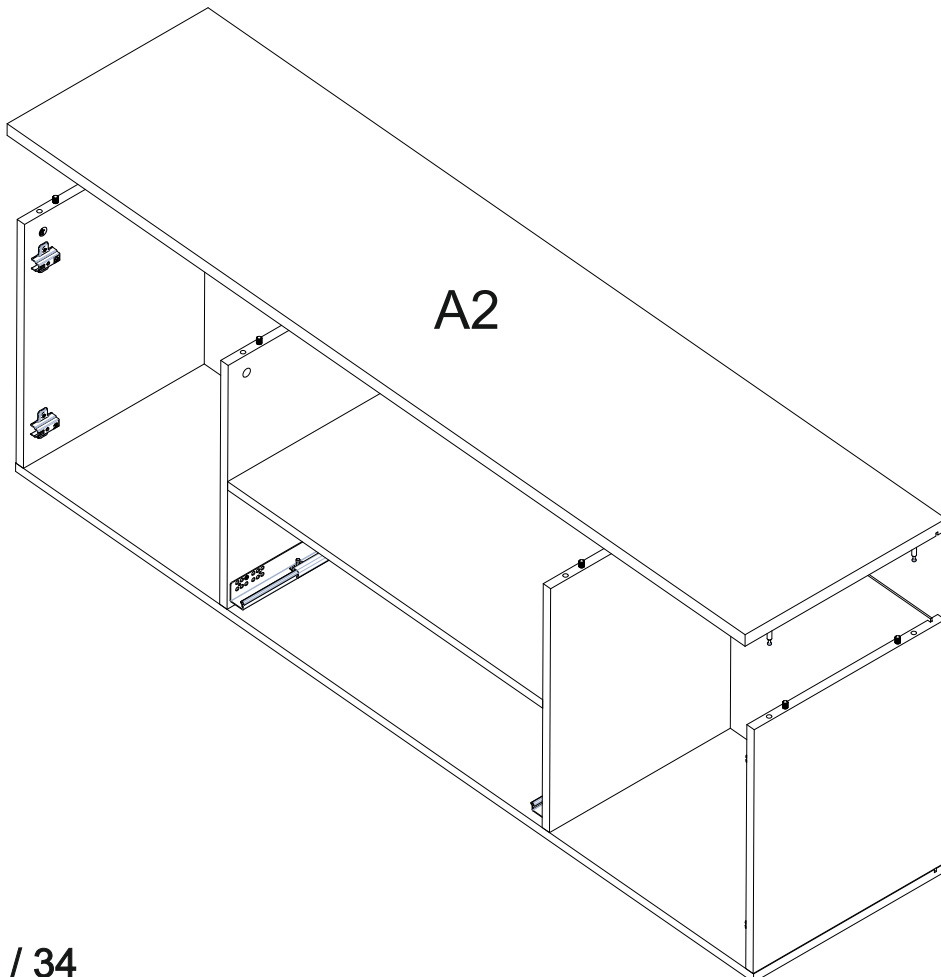
A32

700x472



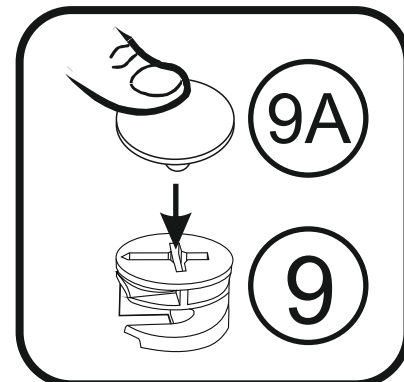
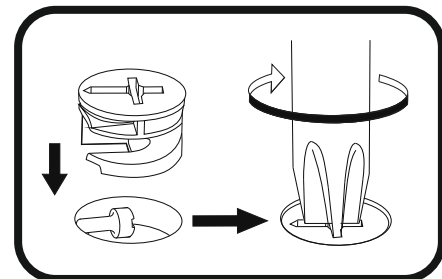
Colli nr 1

16

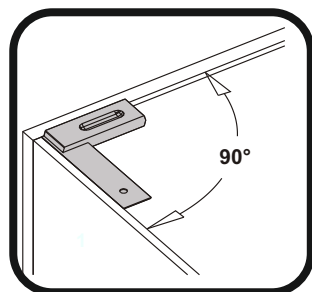
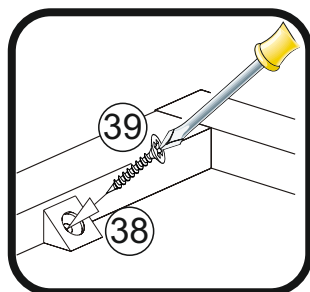
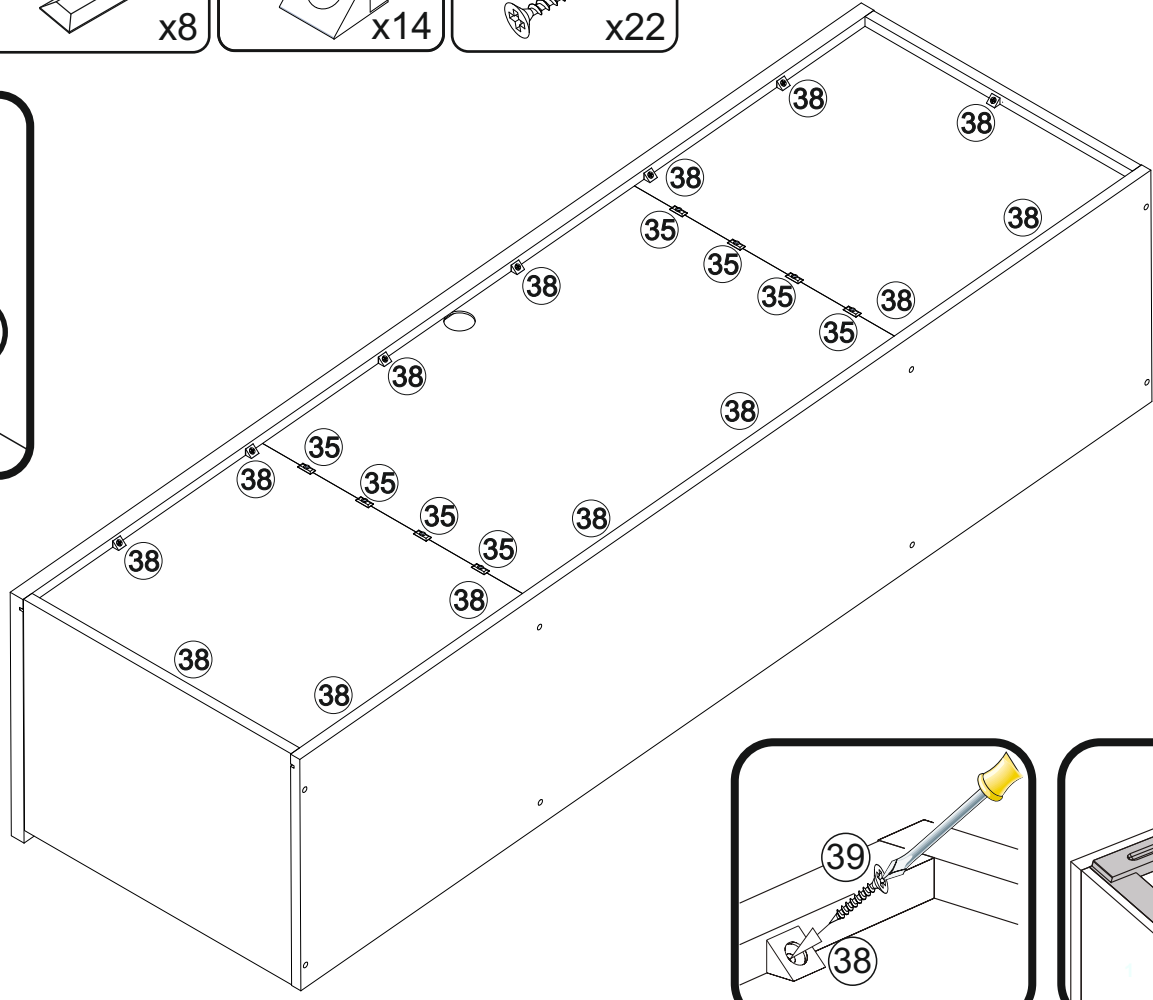
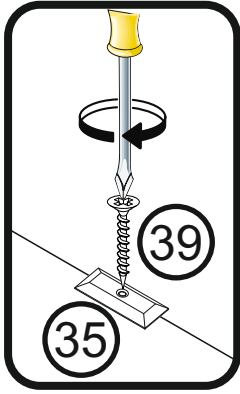
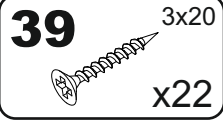
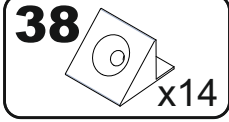
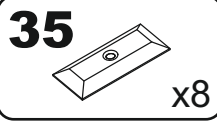


9A

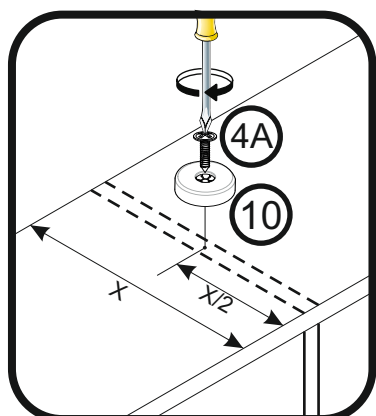
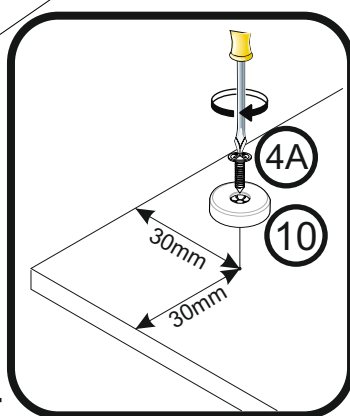
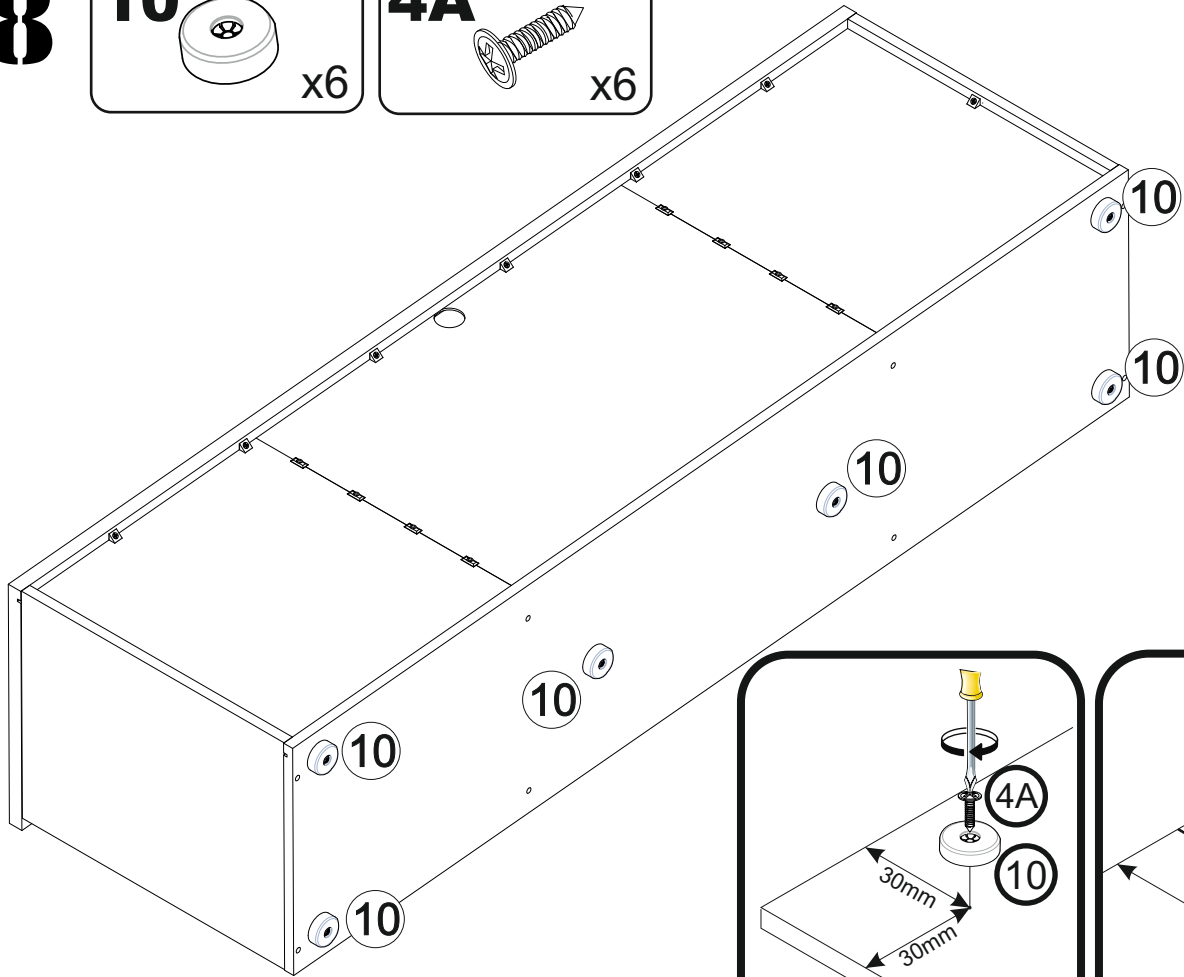
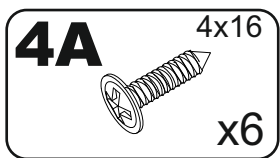
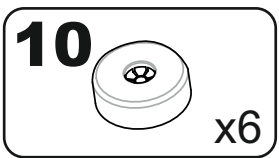
x8



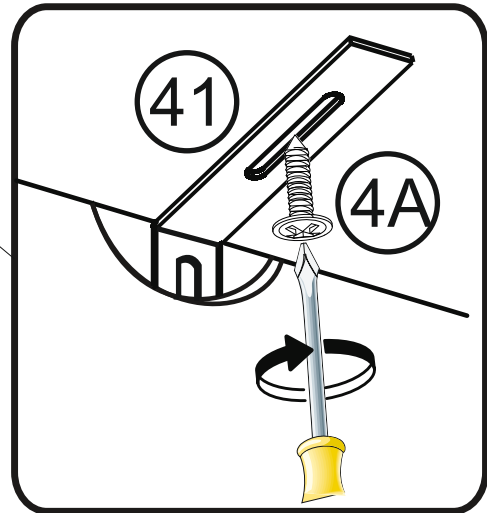
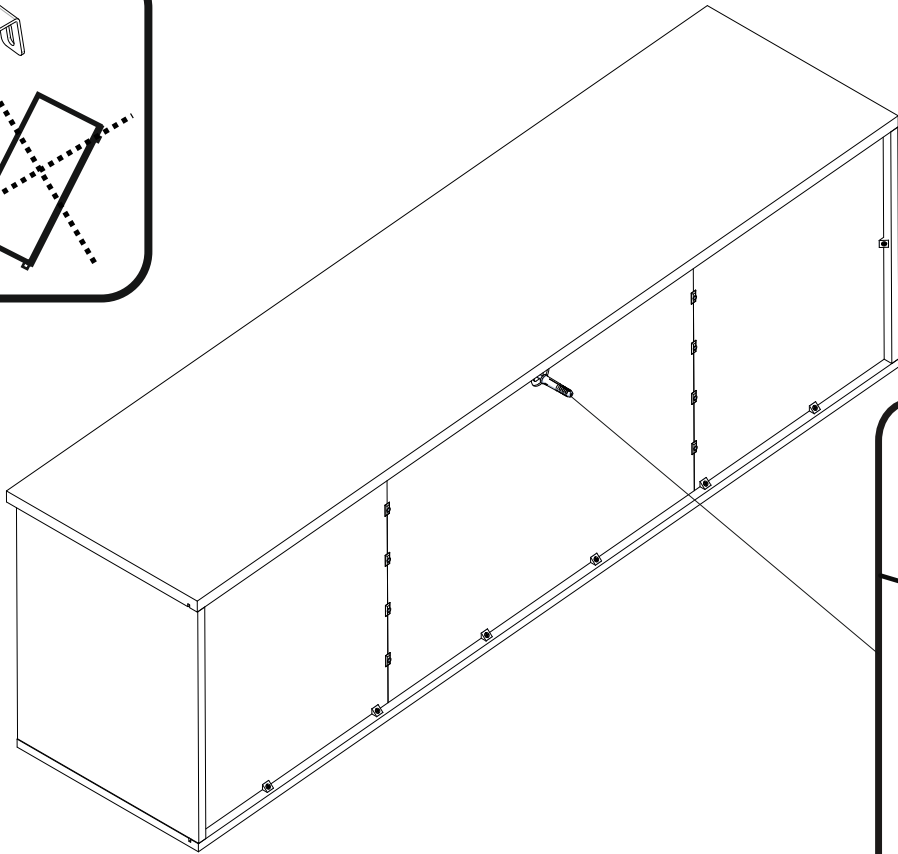
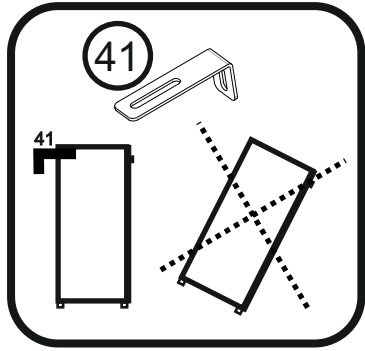
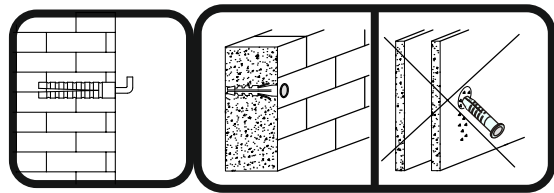
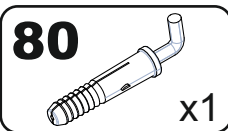
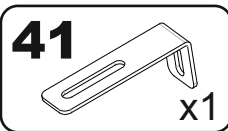
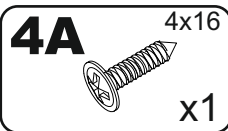
17



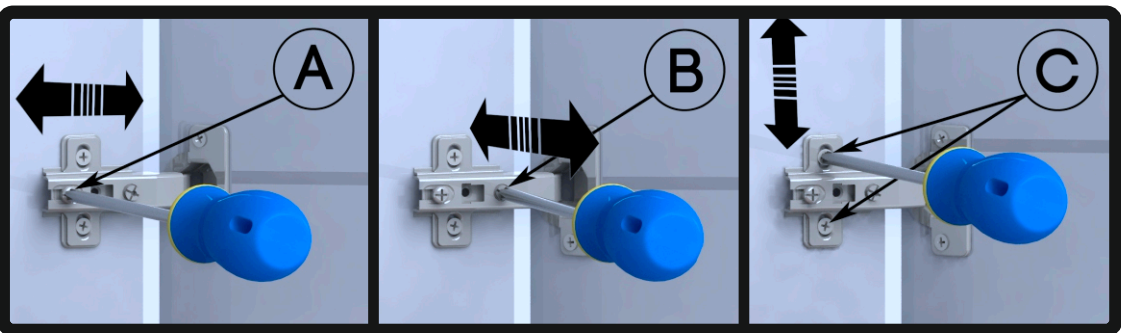
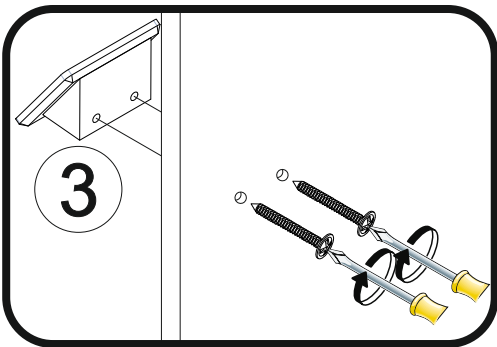
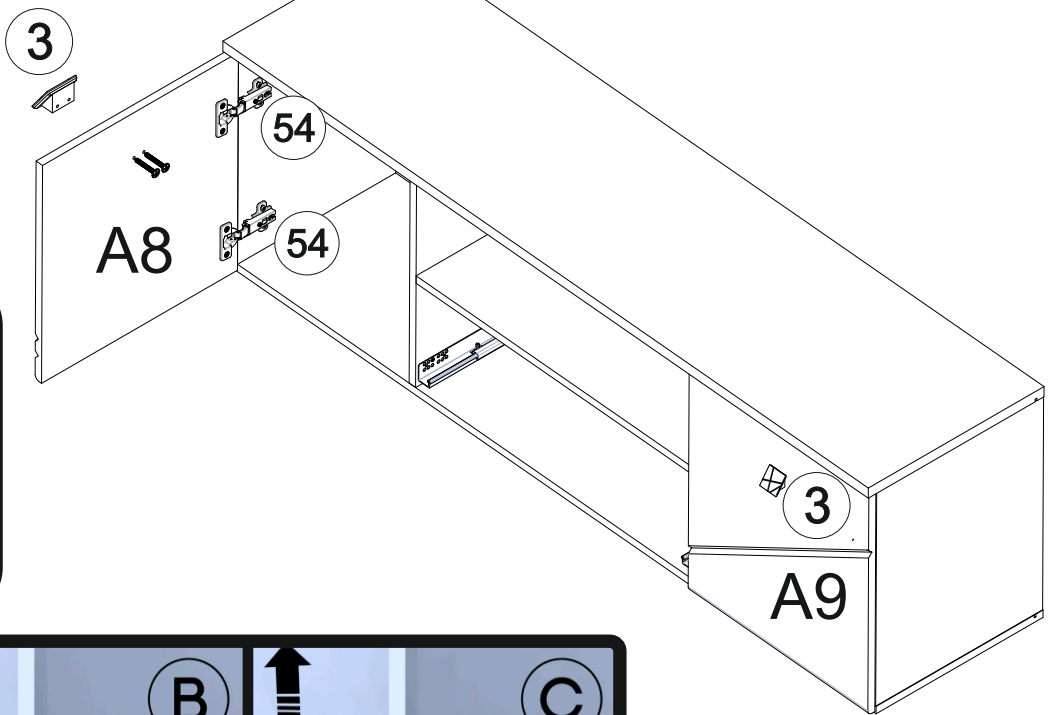
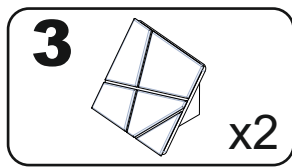
18



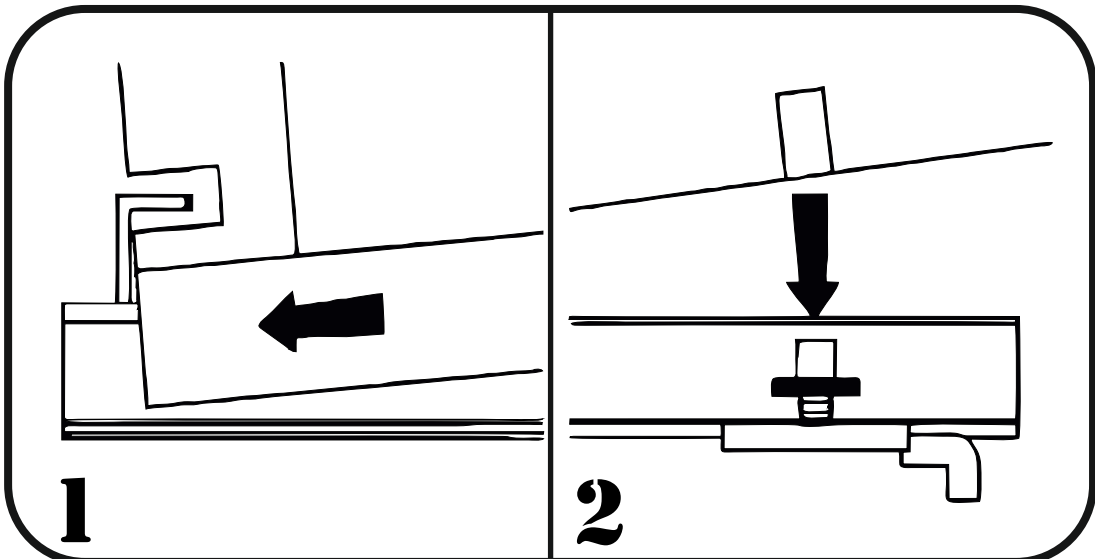
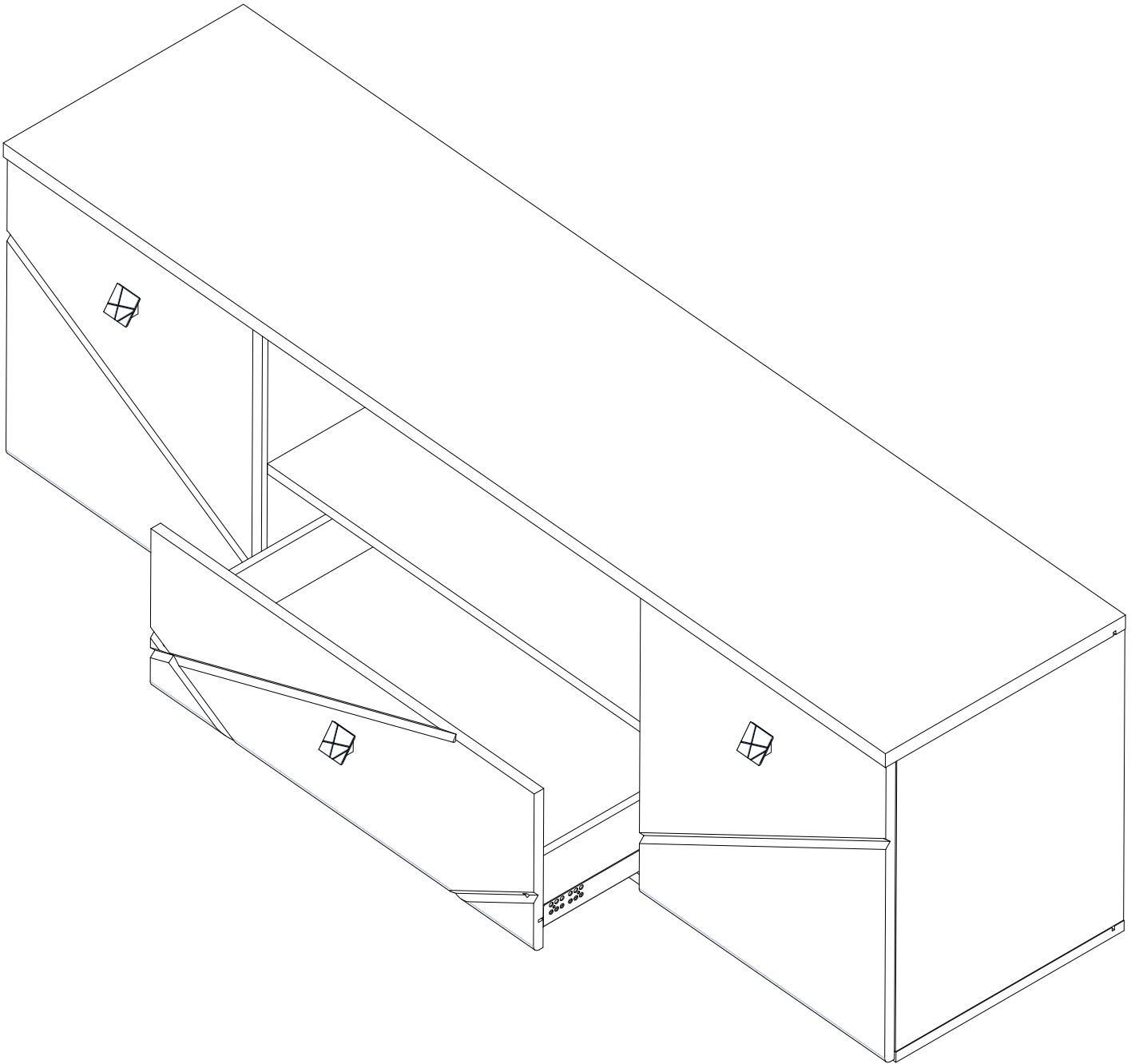
19



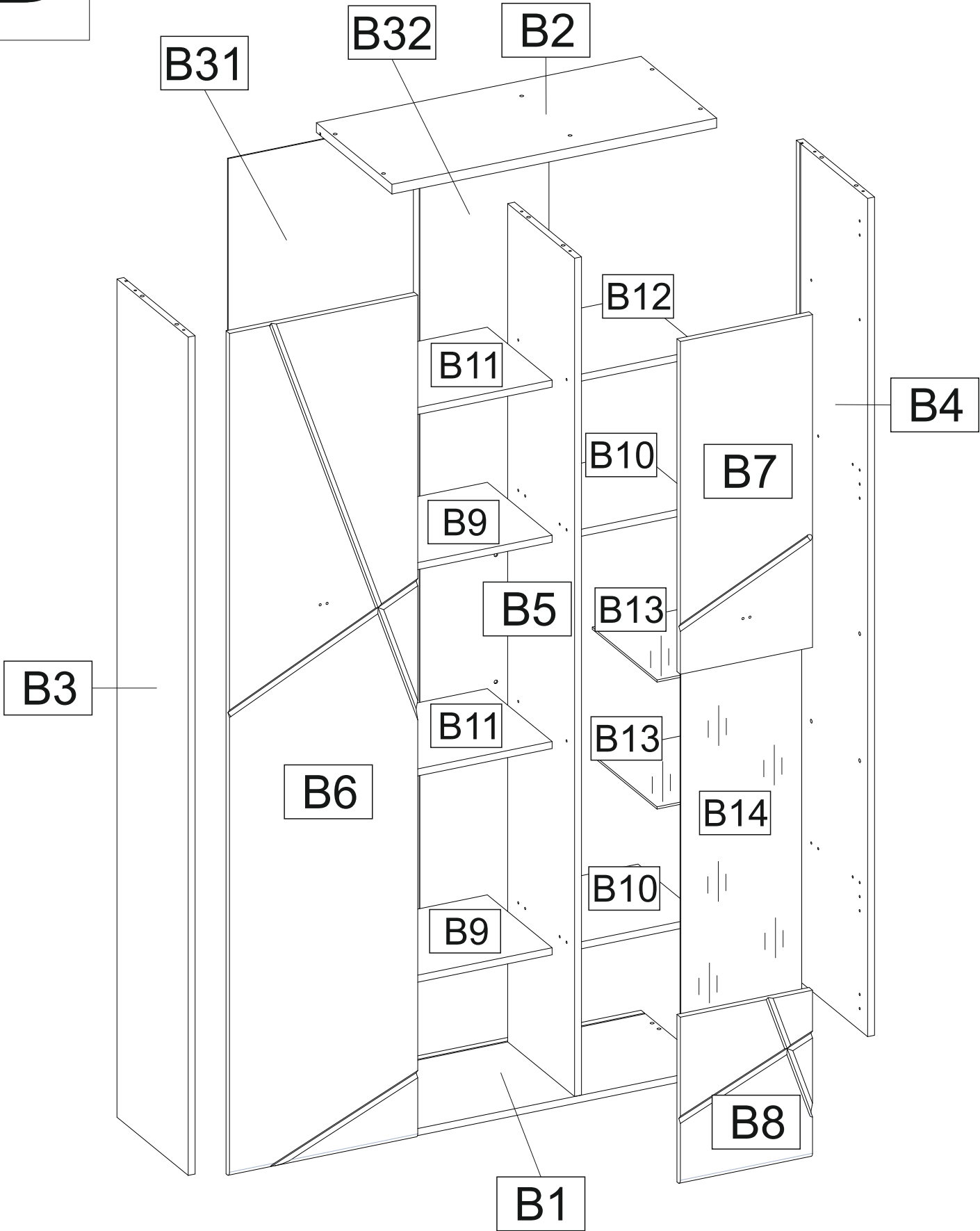
20



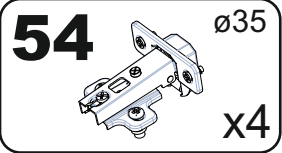
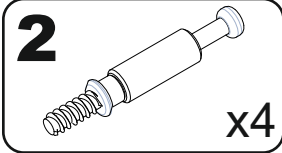
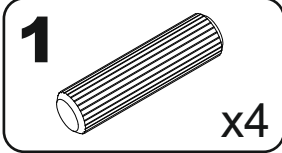
21



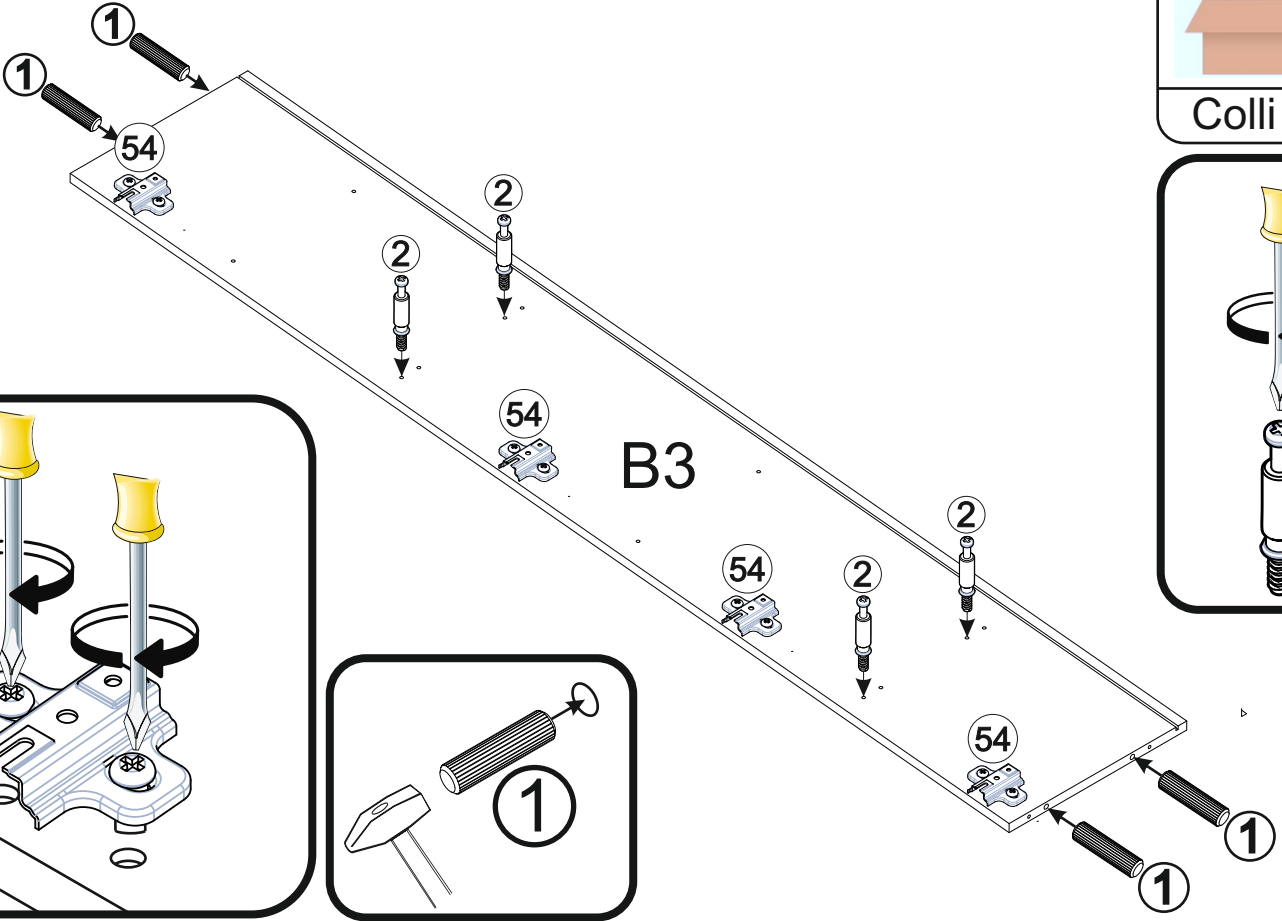
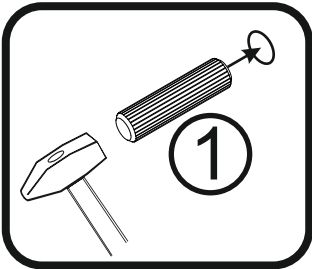
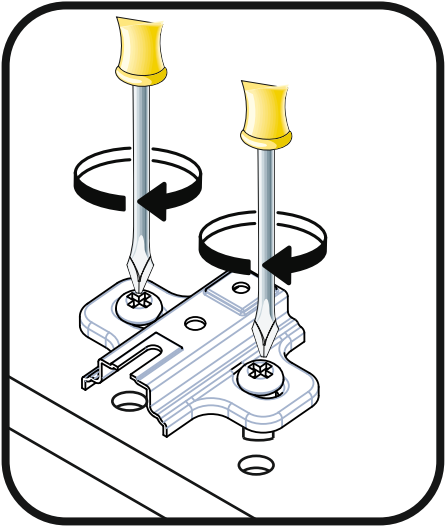
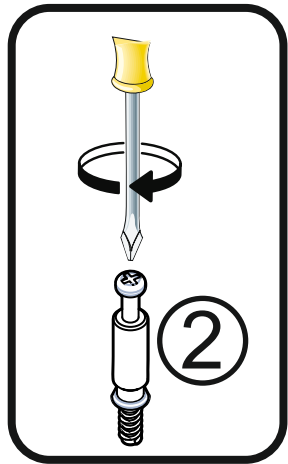
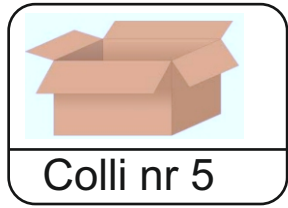
B



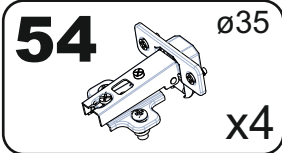
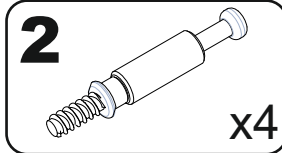
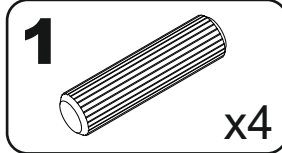
1



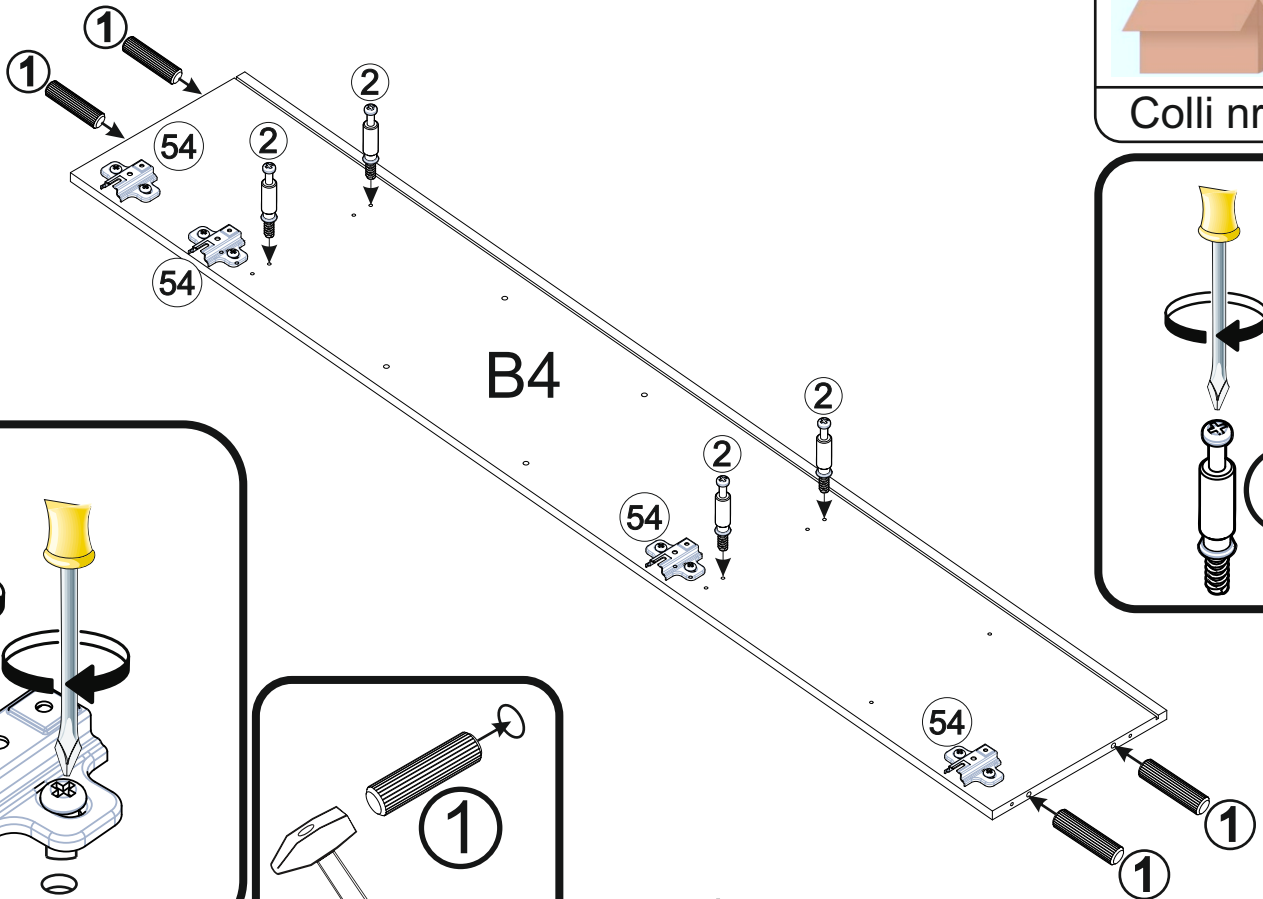
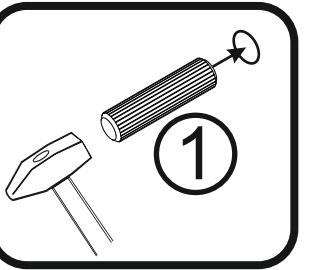
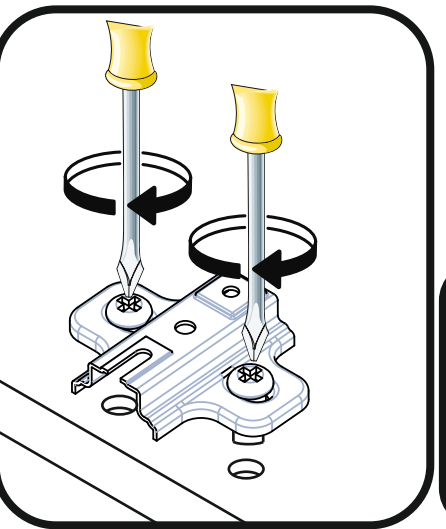
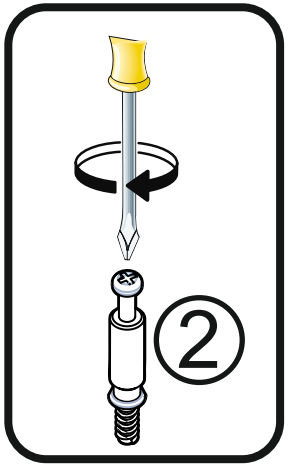
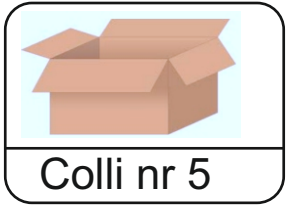
B3 1902x330



2

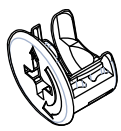


B4 1902x330



3

9



ø15

x16

9

B9

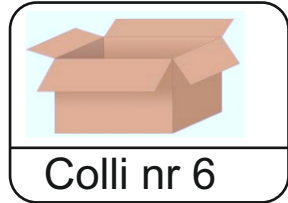
x2

B9

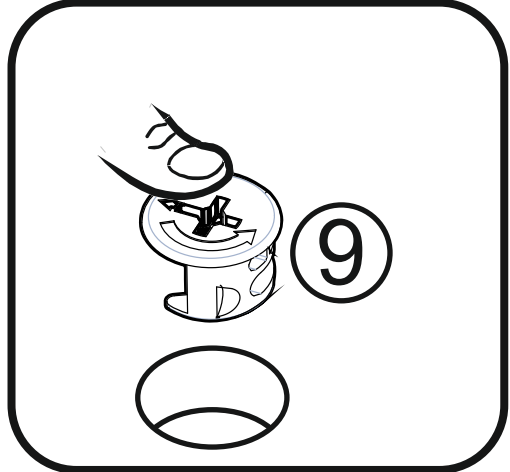
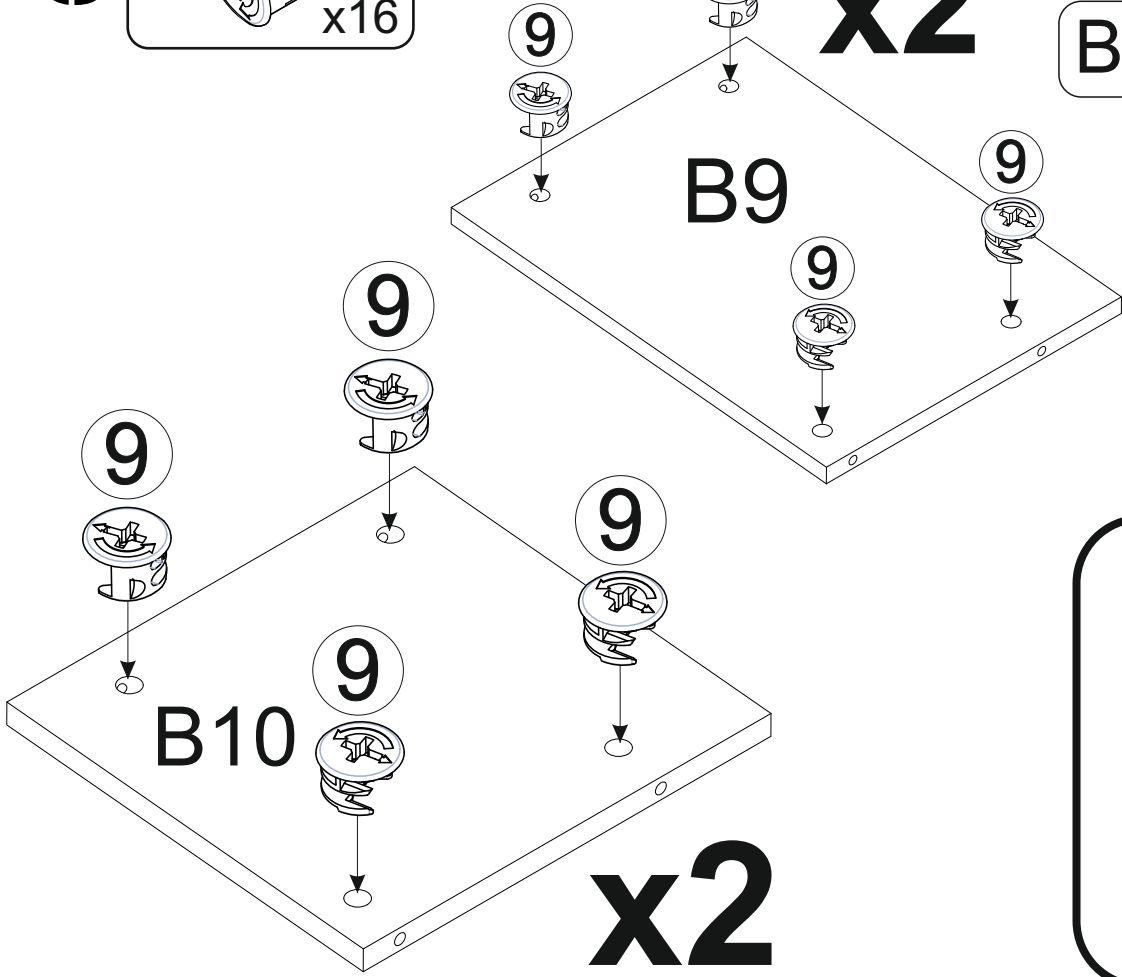
416x330

B10

286x300

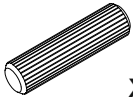


Colli nr 6



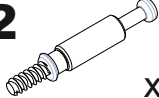
4

1



x4

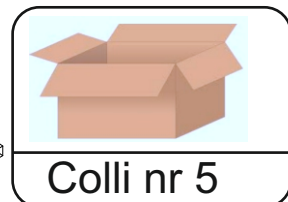
2



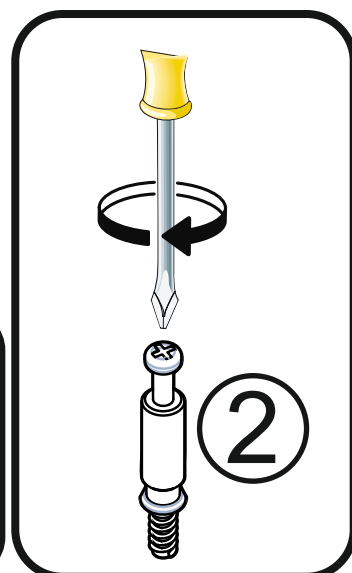
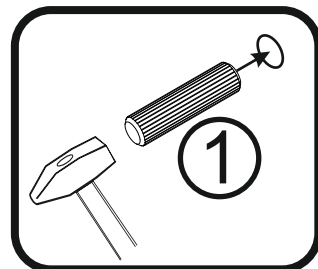
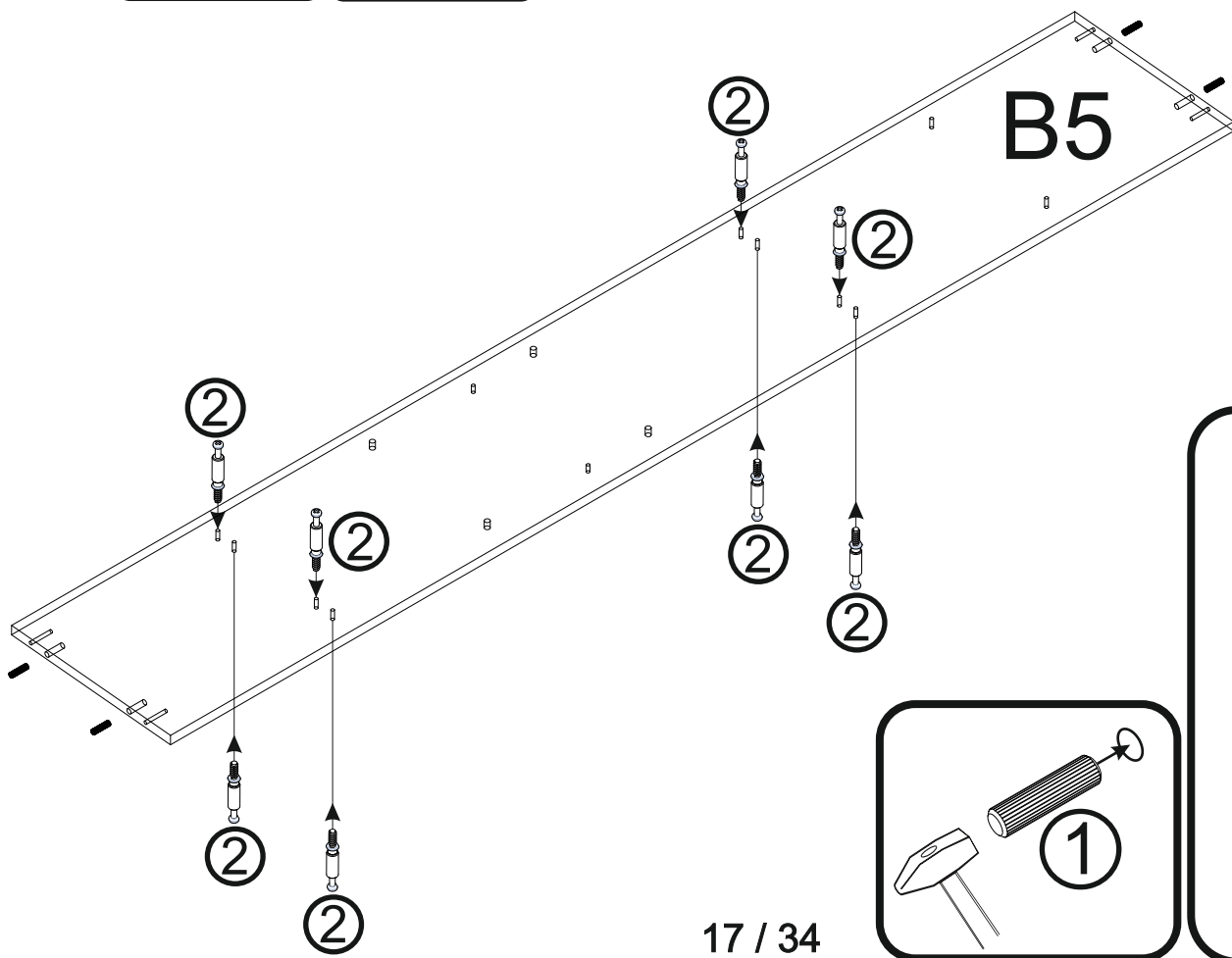
x8

B5

1902x310



Colli nr 5



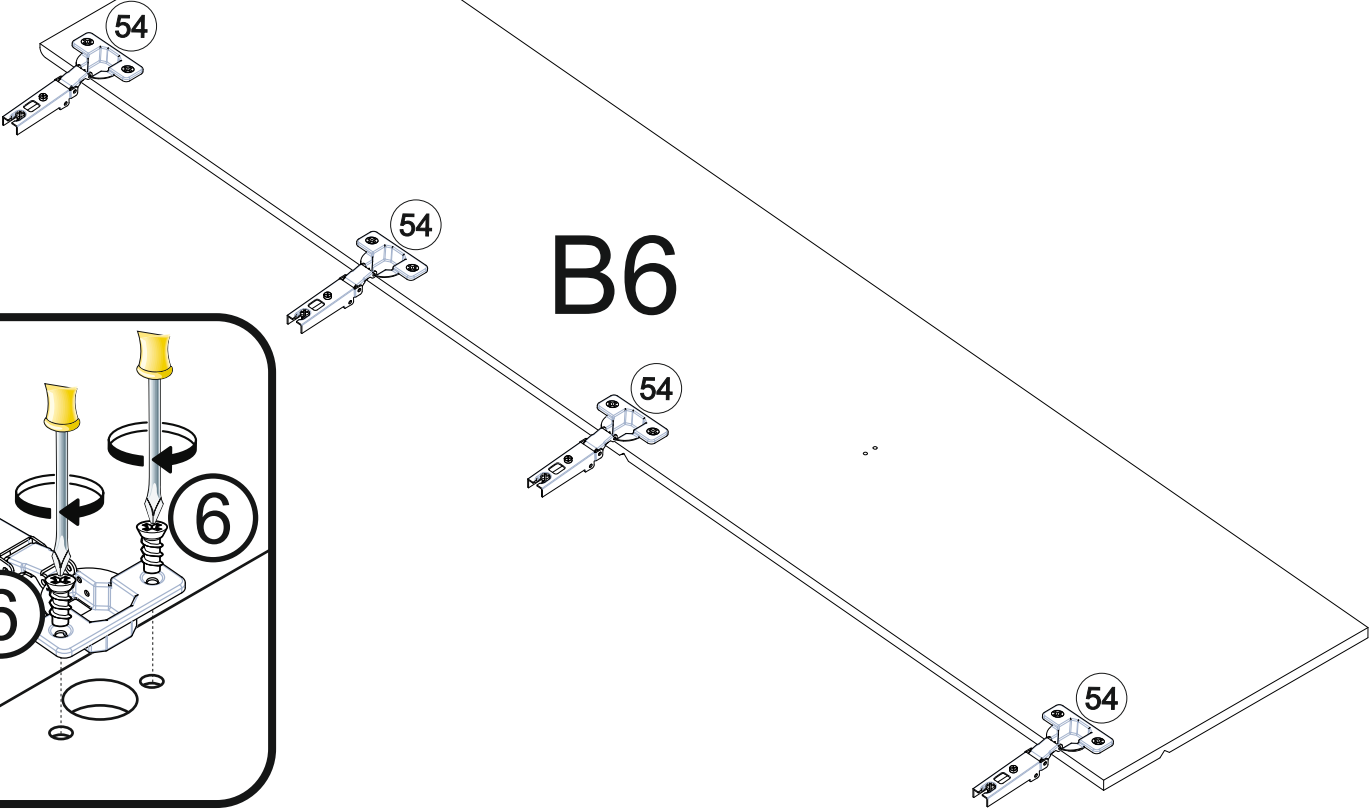
5

54 $\varnothing 35$
x4

6 5x11
x8

B6	1913x436
-----------	-----------------

Colli nr 5



B6

6 **36**
x6

4A 4x16
x6

54 $\varnothing 35$
x4

6 5x11
x8

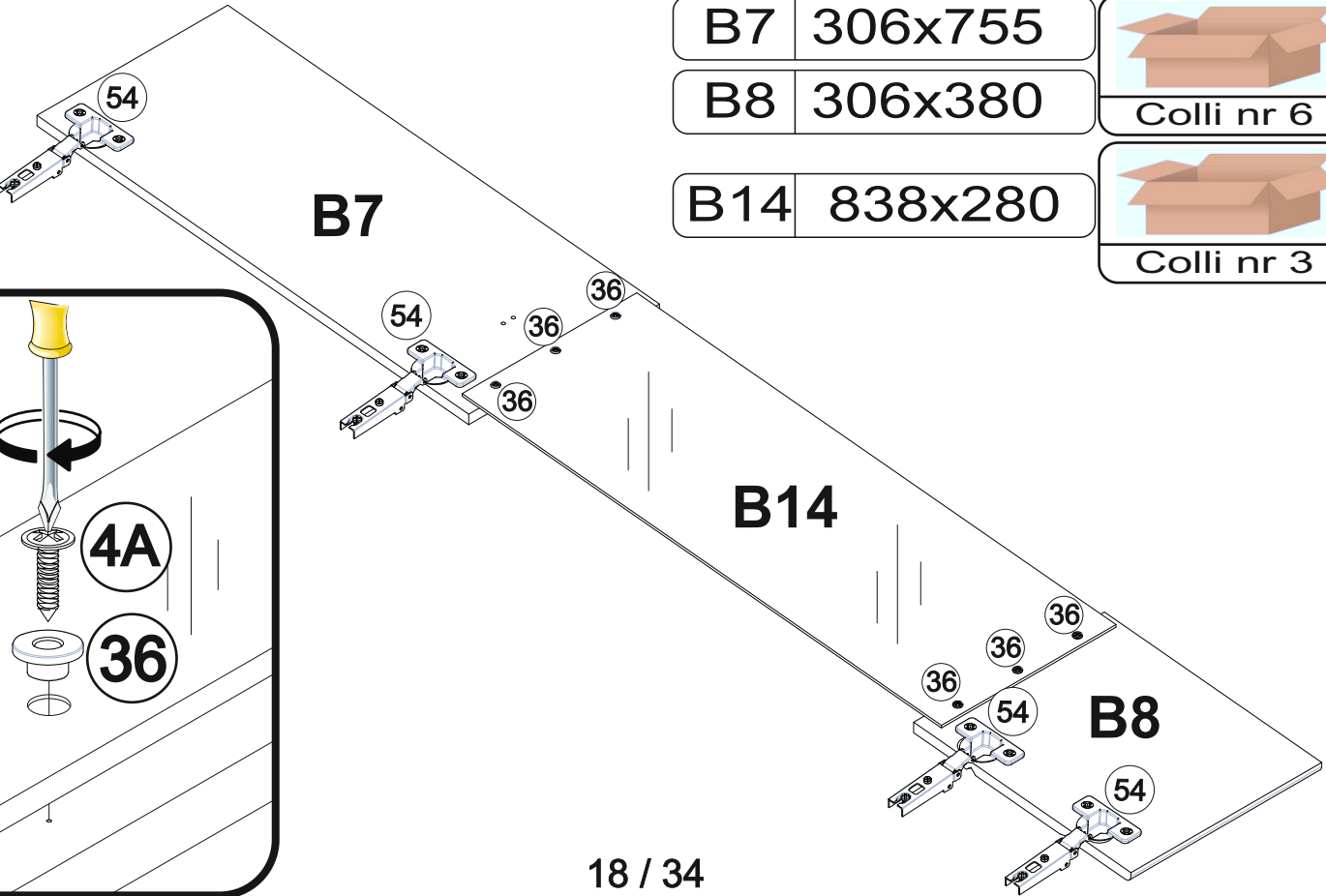
B7	306x755
-----------	----------------

B8	306x380
-----------	----------------

B14	838x280
------------	----------------

Colli nr 6

Colli nr 3



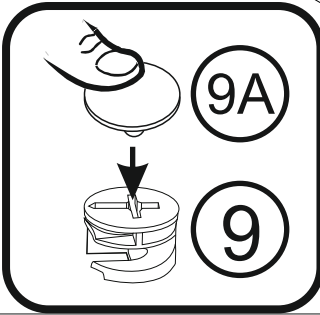
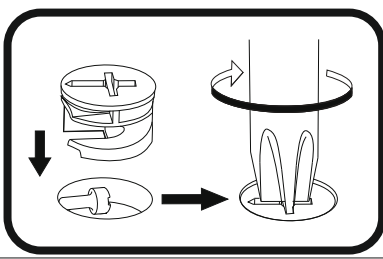
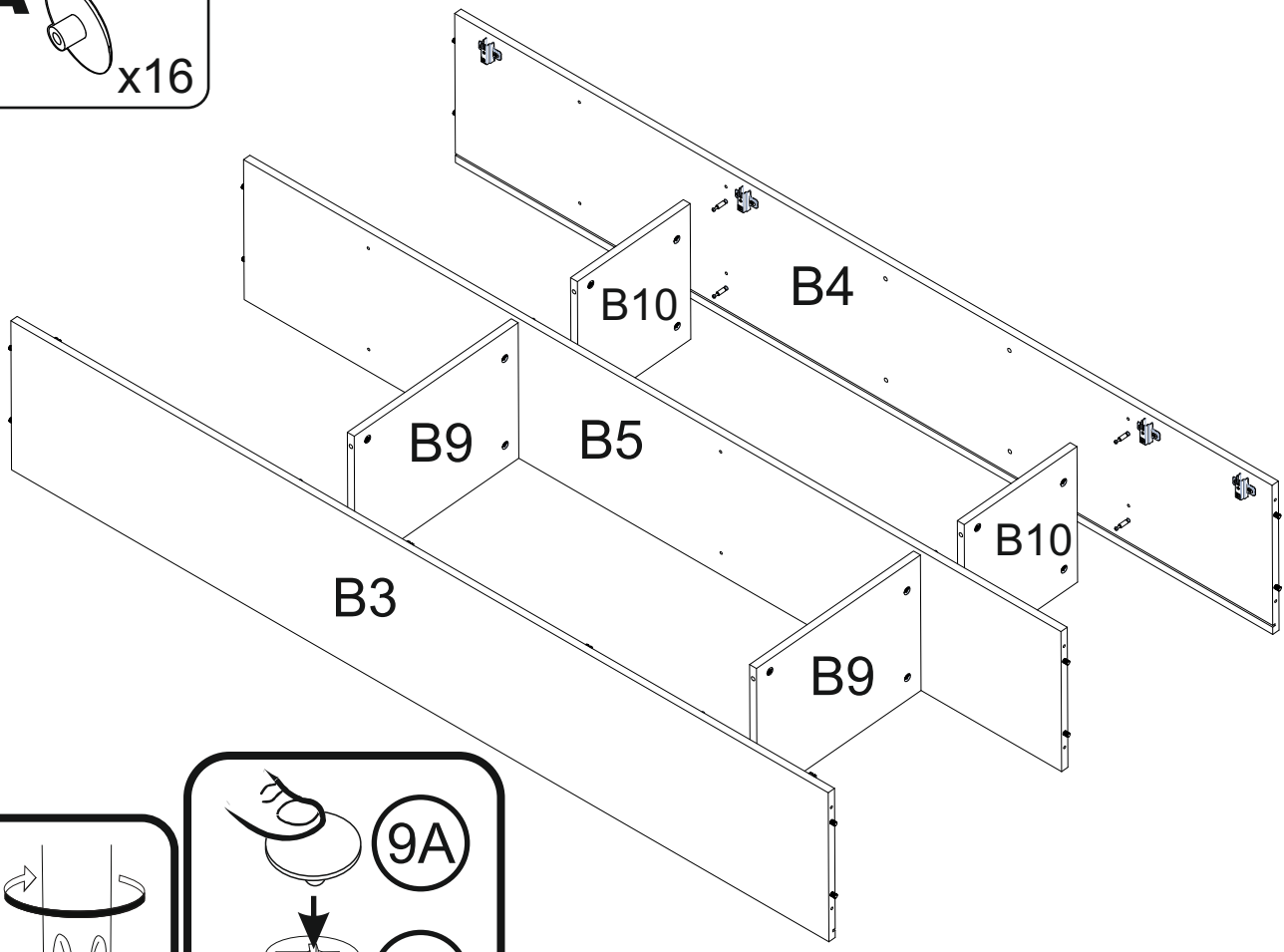
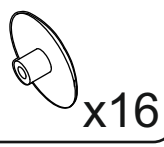
B7

B14

B8

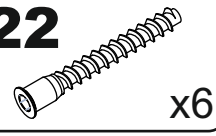
7

9A

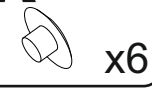


8

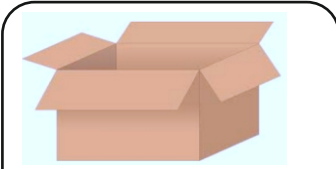
22



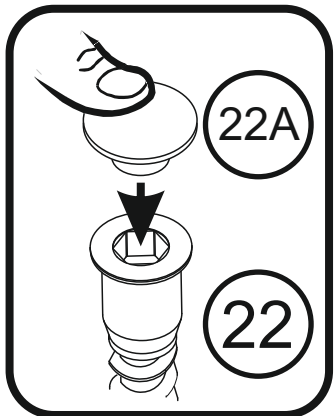
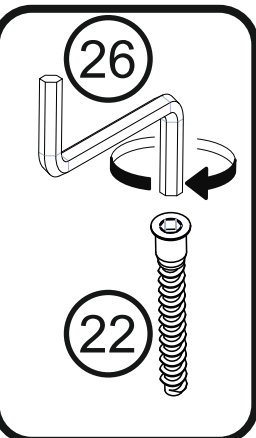
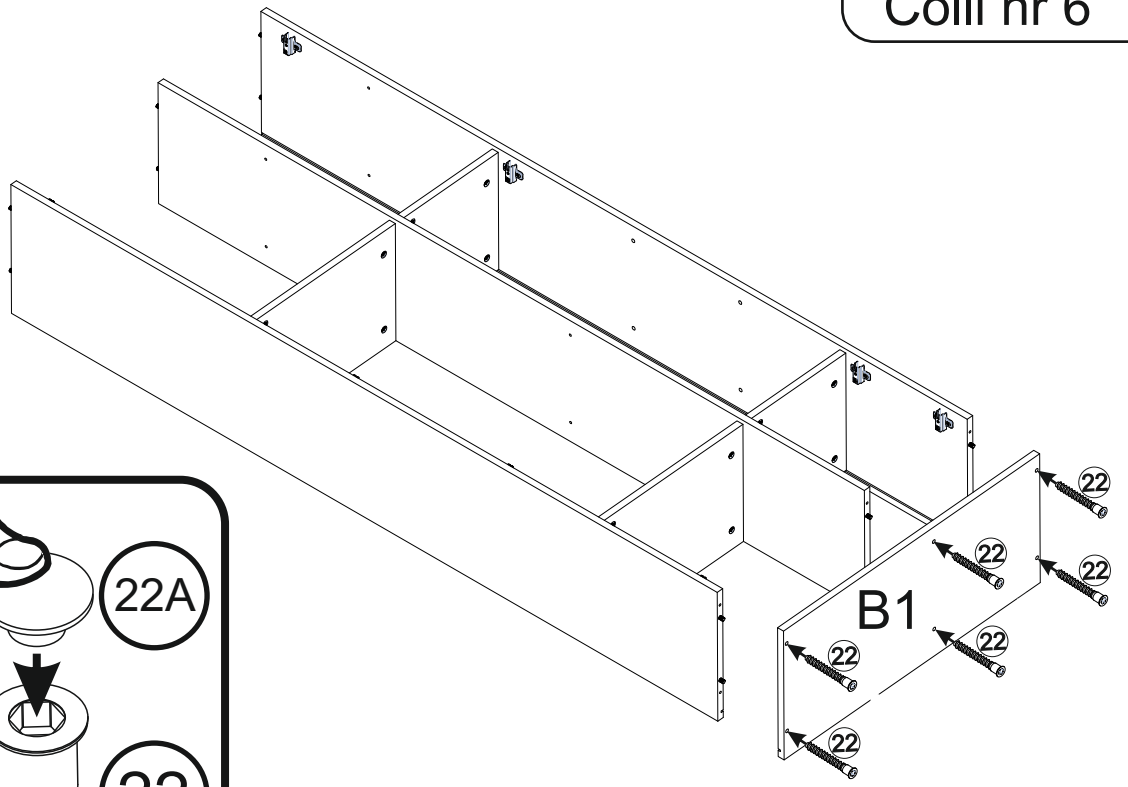
22A



B1 752x330



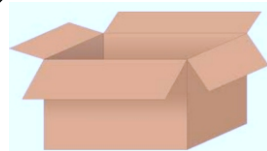
Colli nr 6



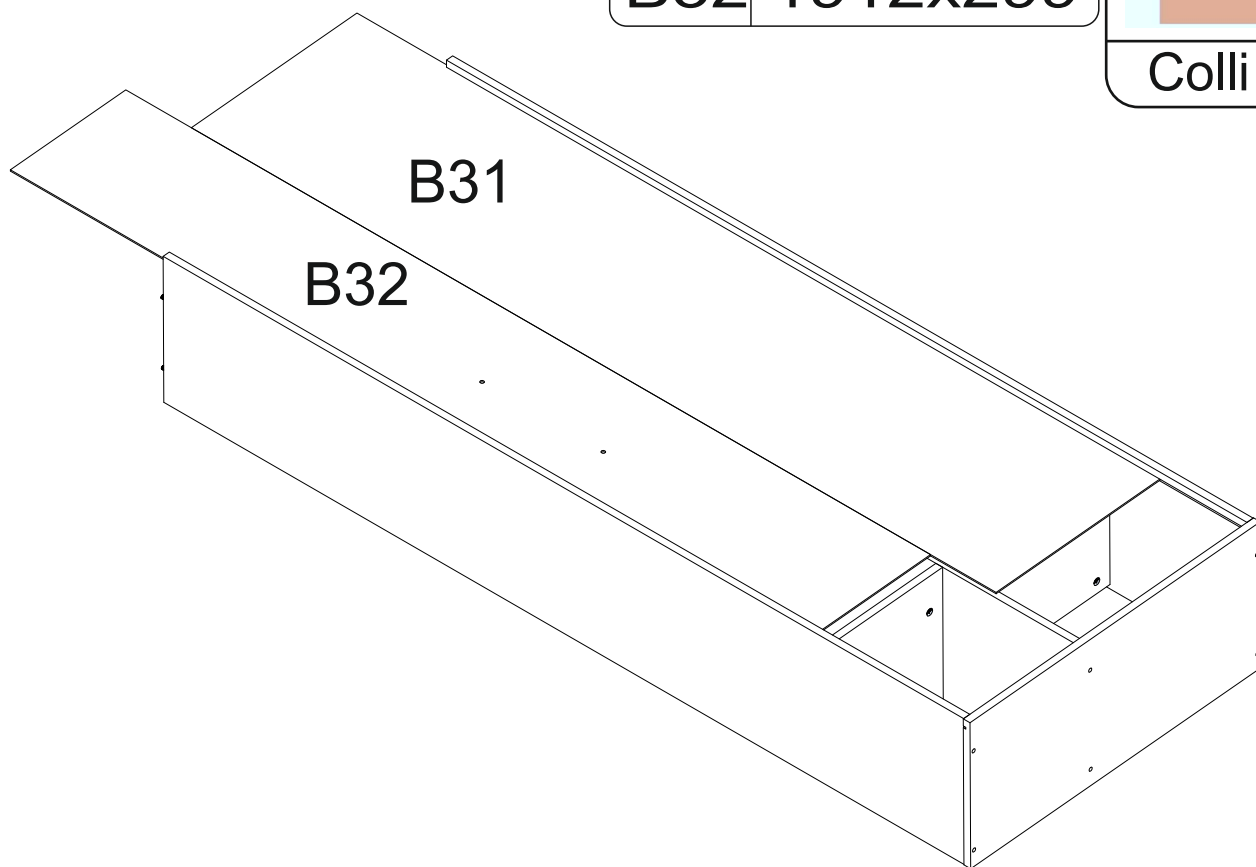
9

B31 1912x429

B32 1912x299

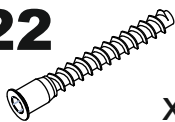


Colli nr 5



10

22



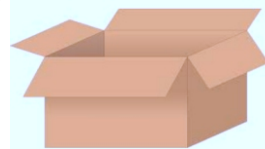
x6

22A

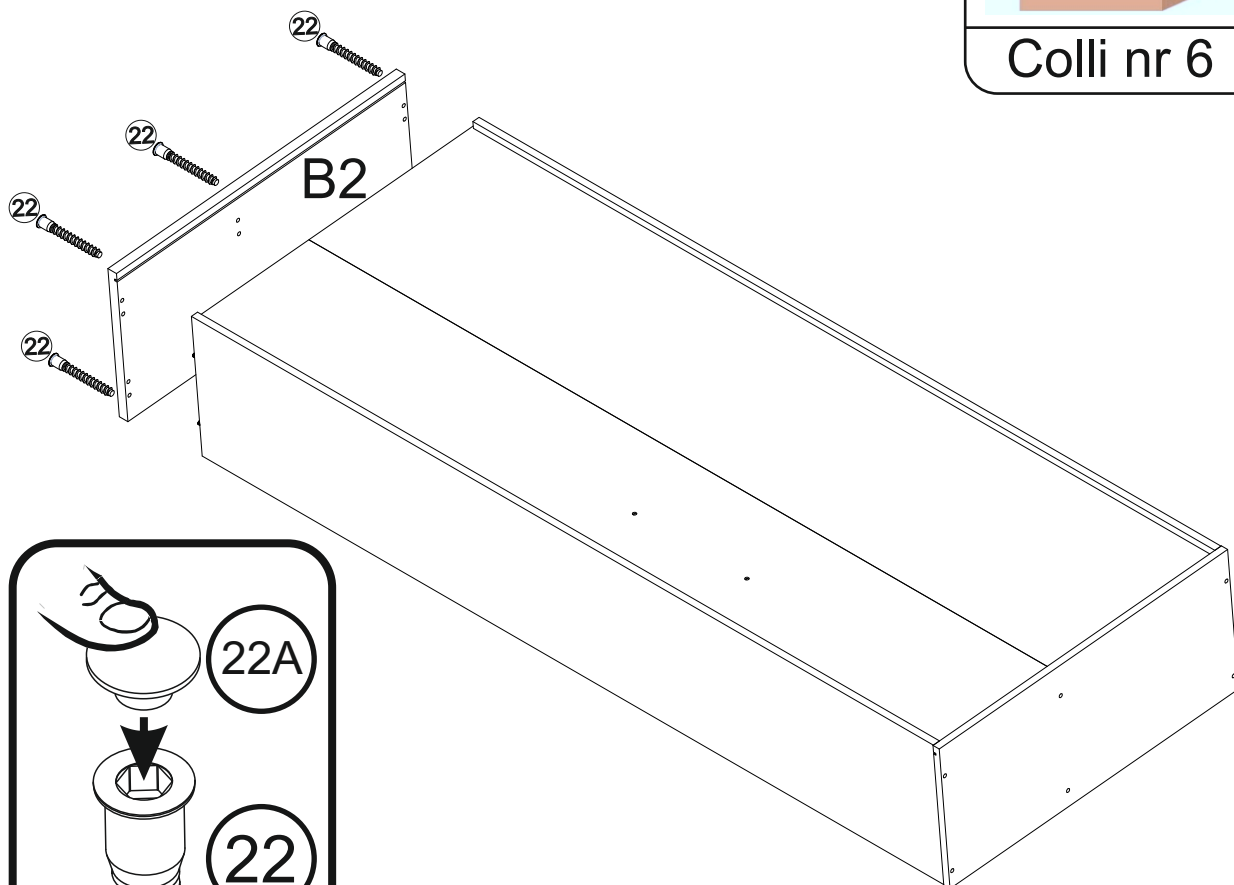


x6

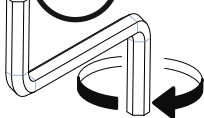
B2 752x350



Colli nr 6



26



22

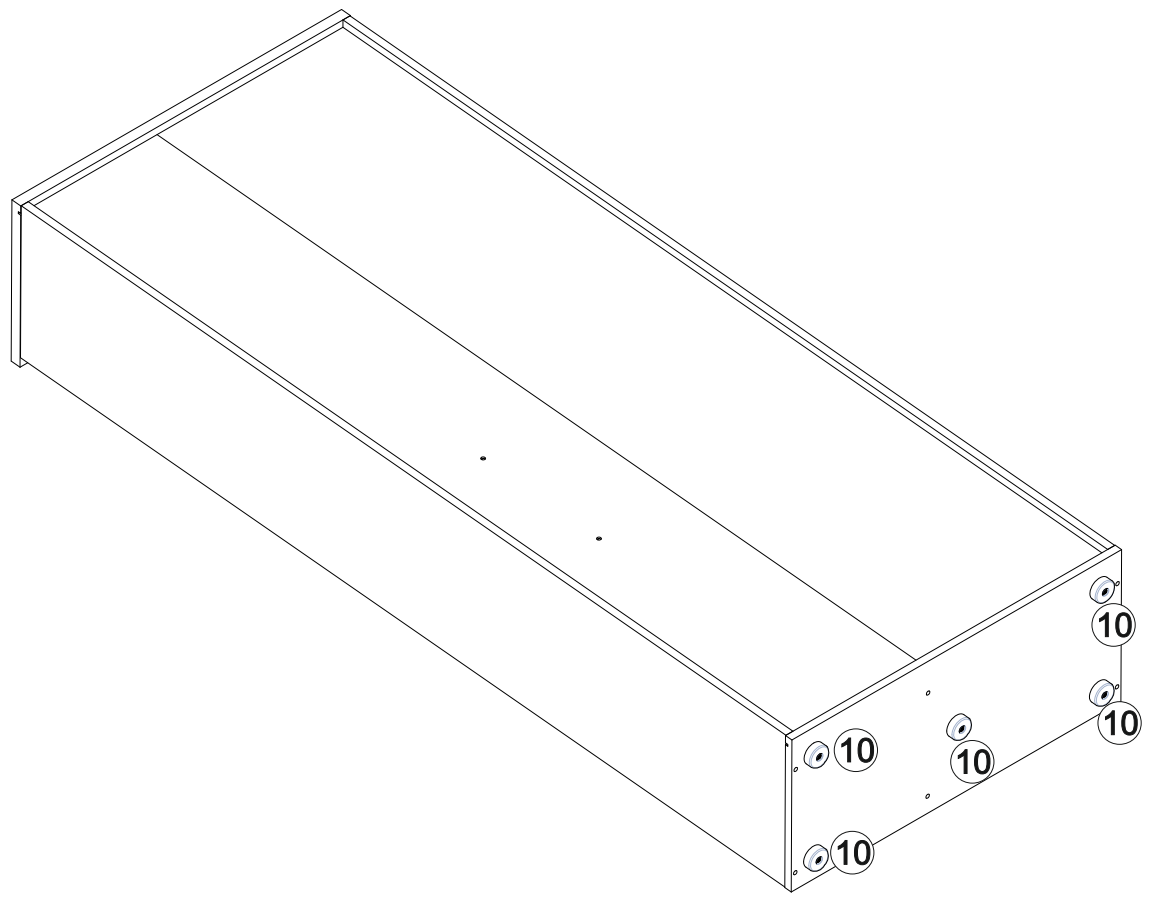
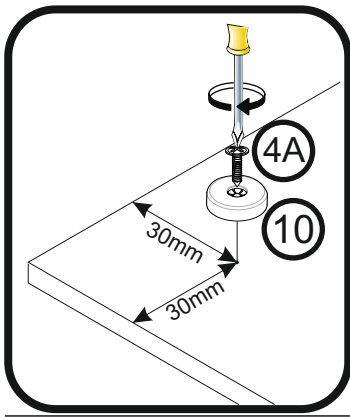
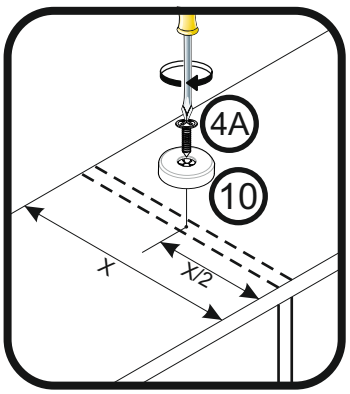
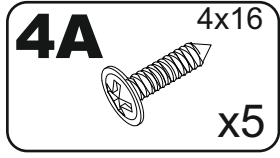
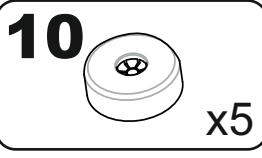


22A

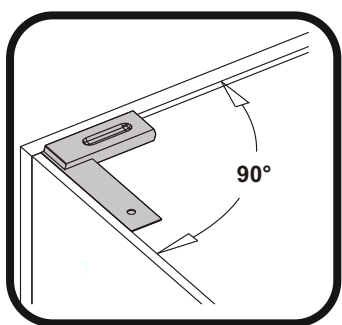
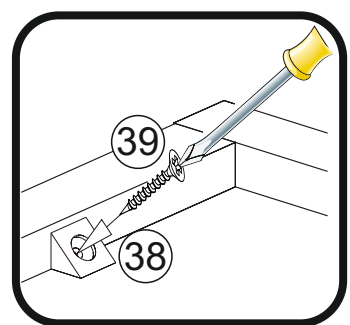
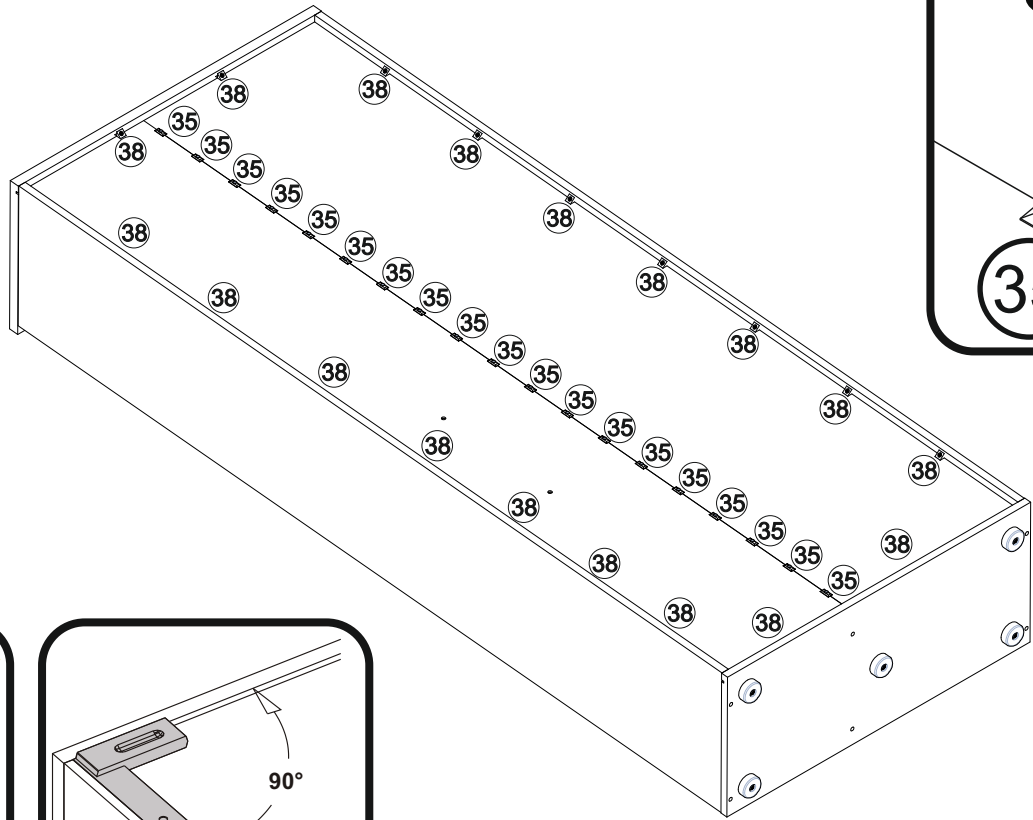
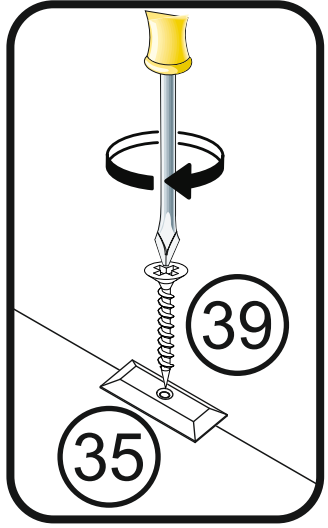
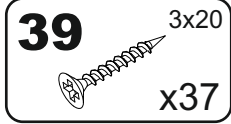
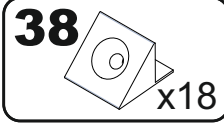
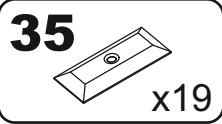


22

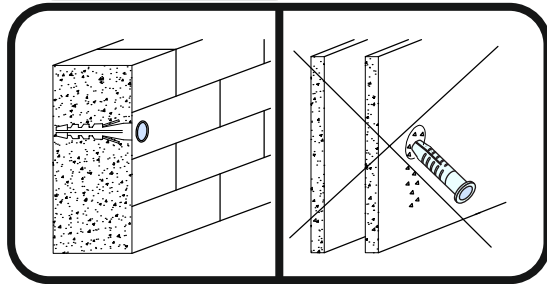
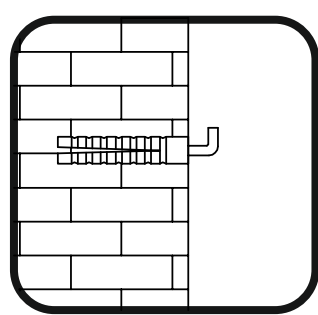
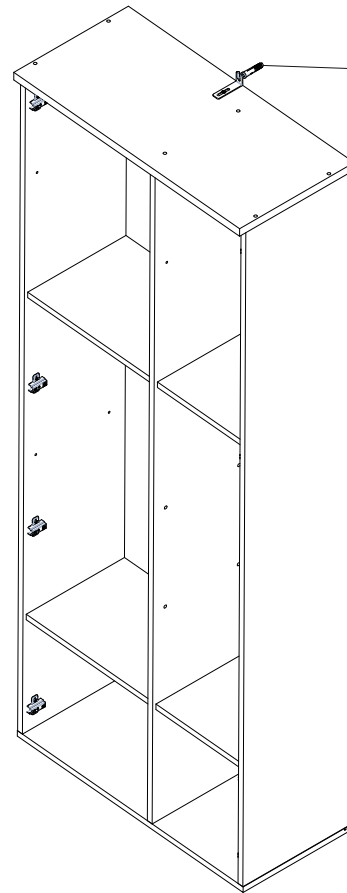
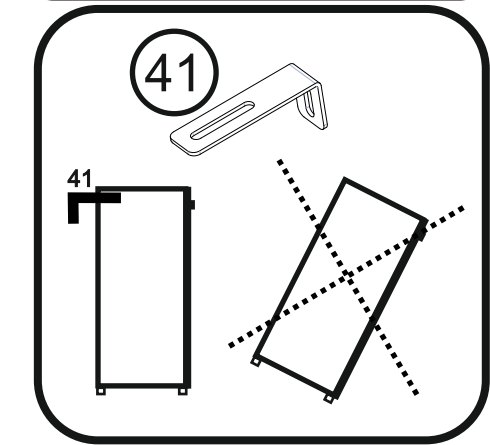
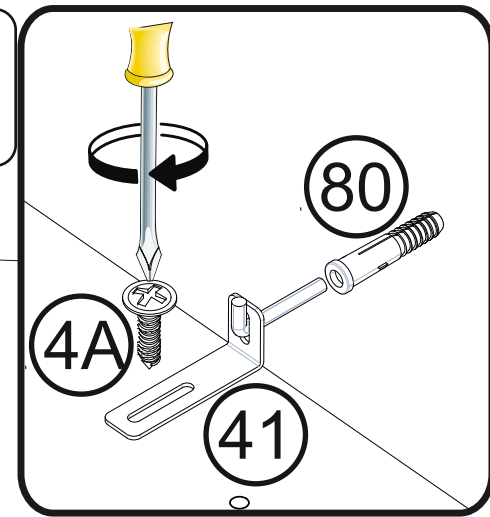
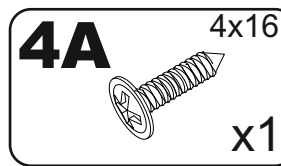
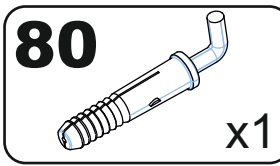
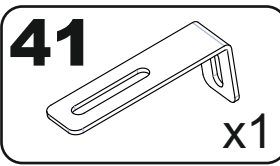
11



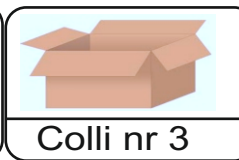
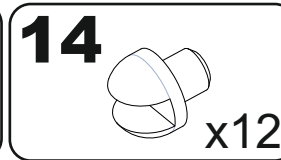
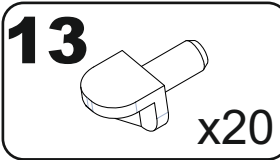
12



13



14

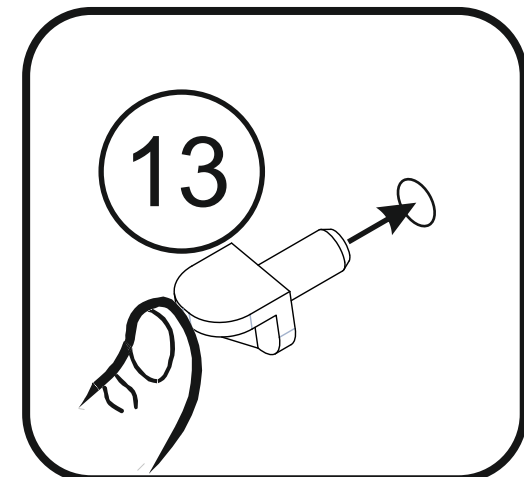
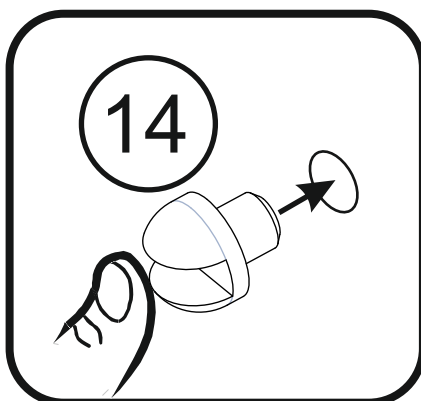
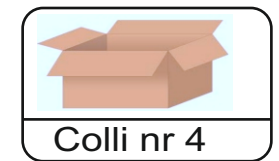
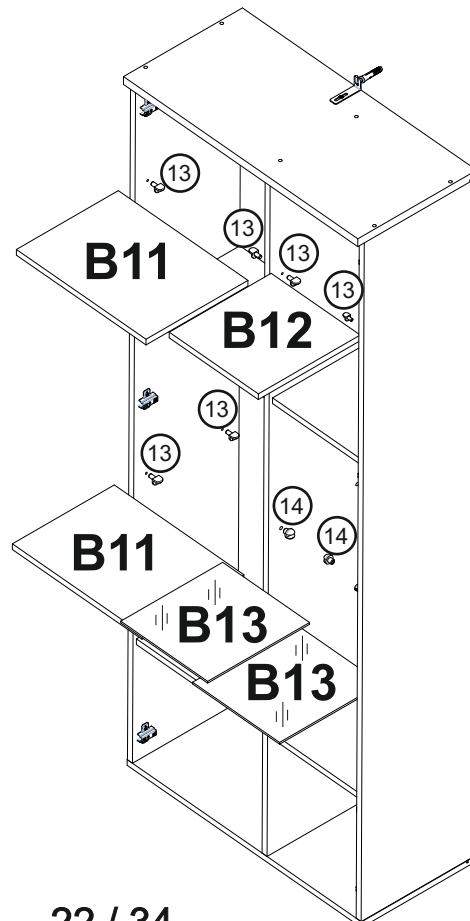


x2

B11 416x300

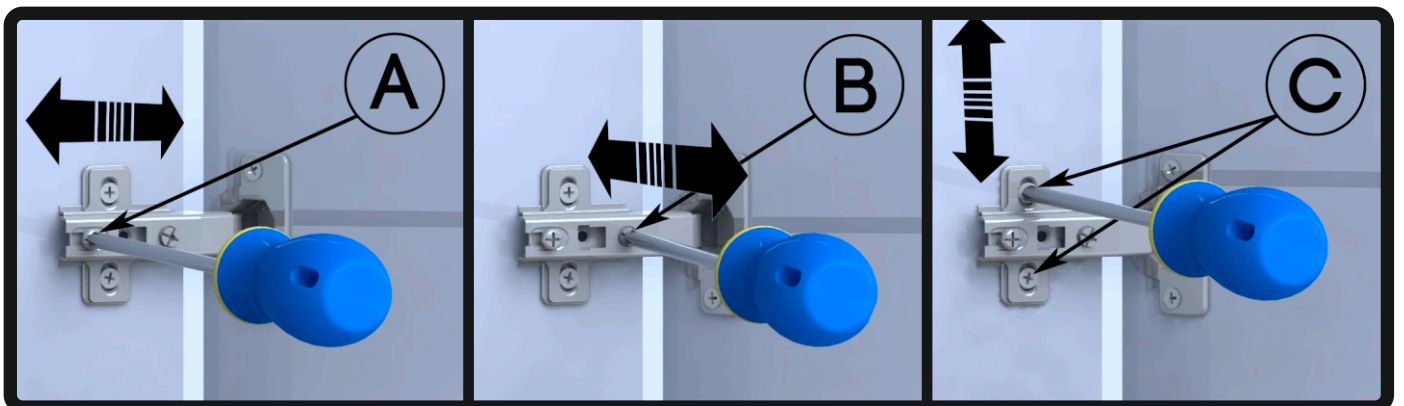
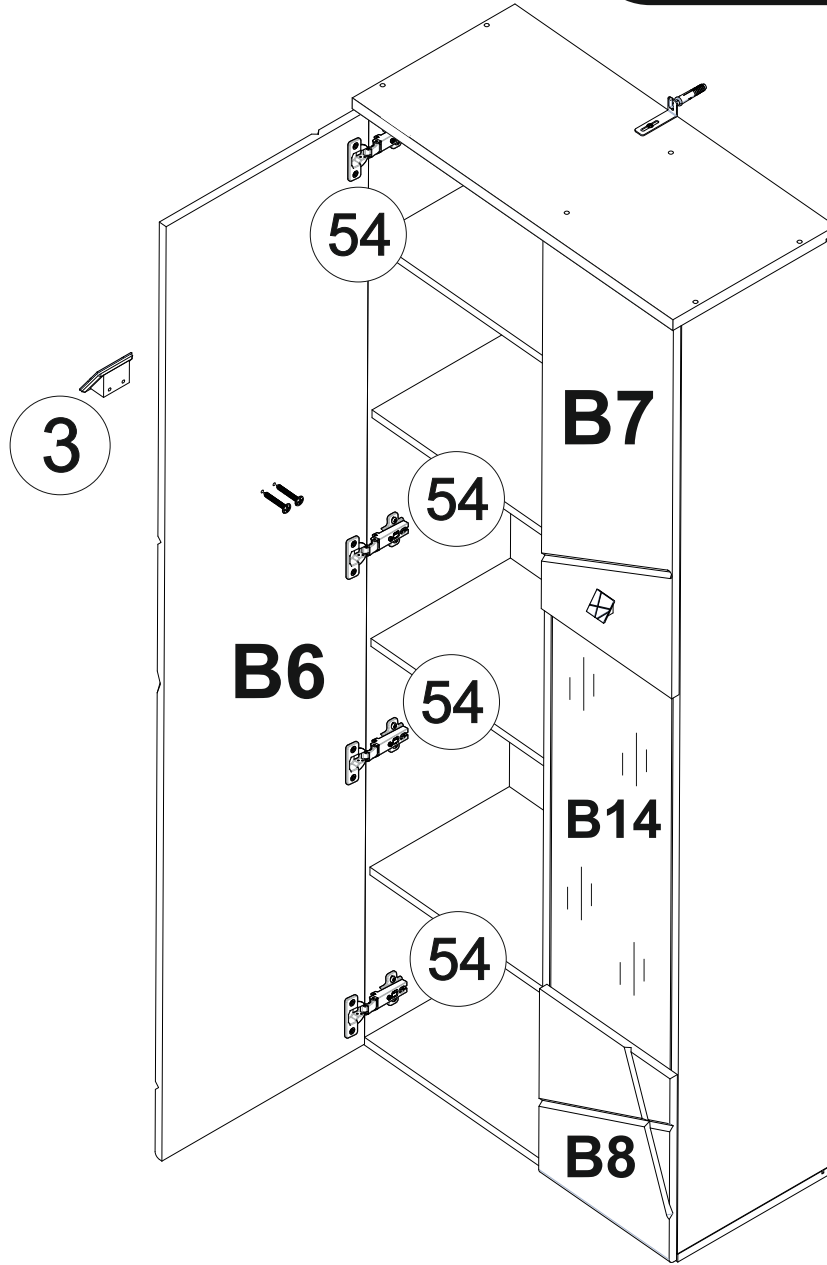
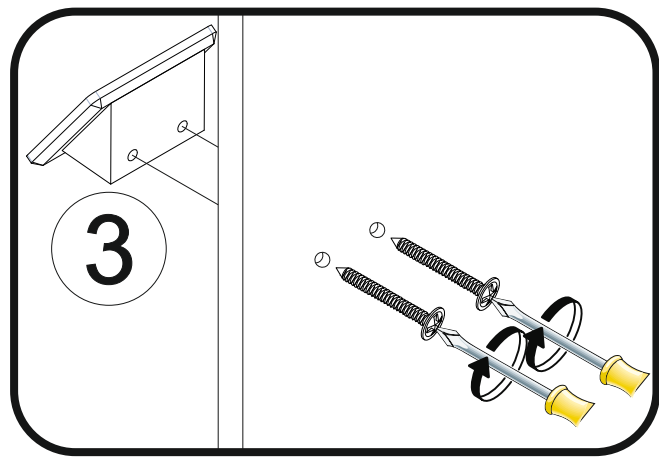
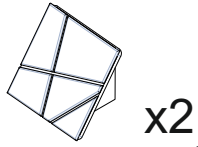
x1

B12 286x300

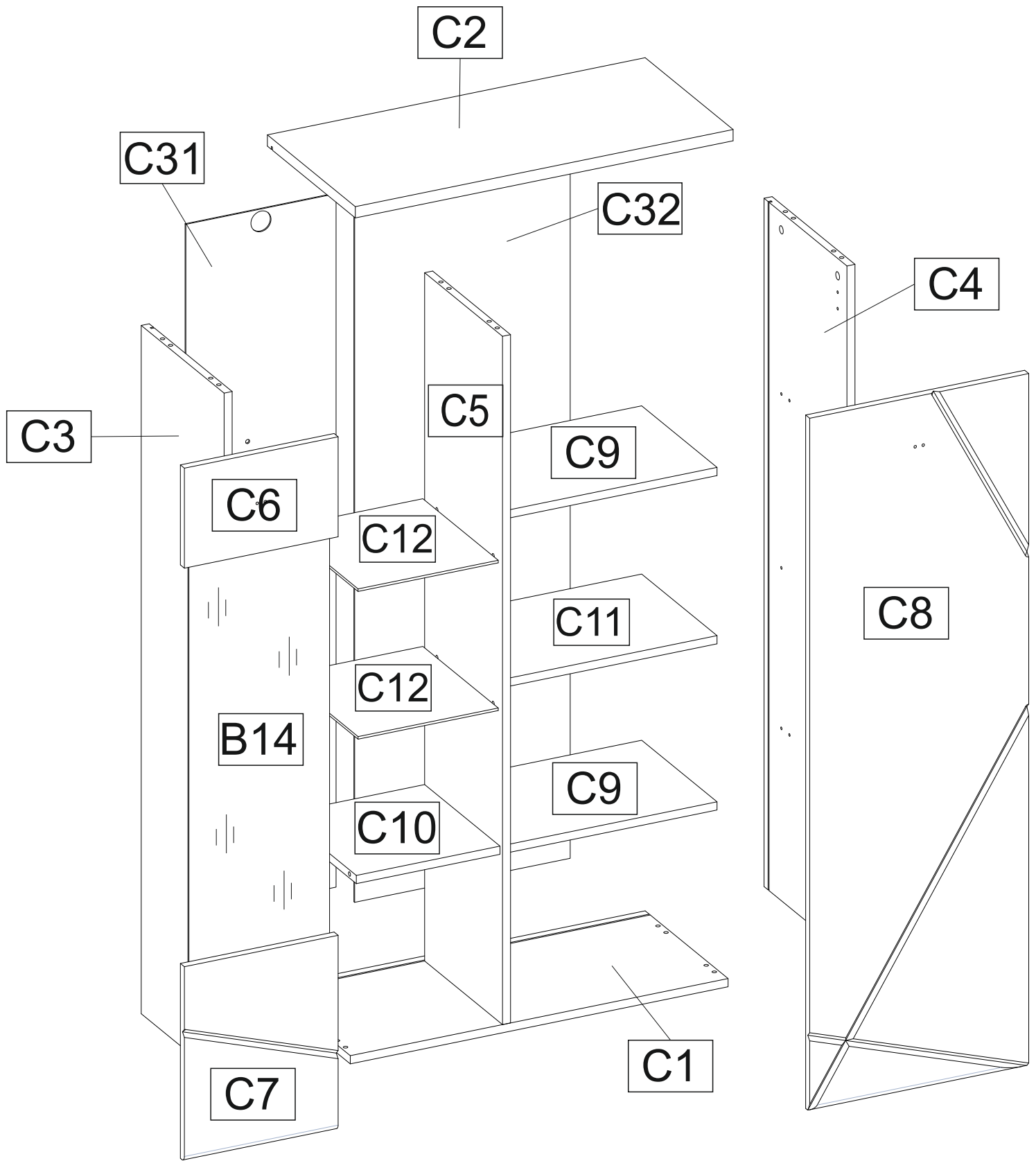


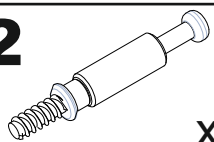
15

3

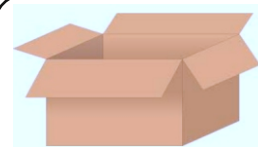


C

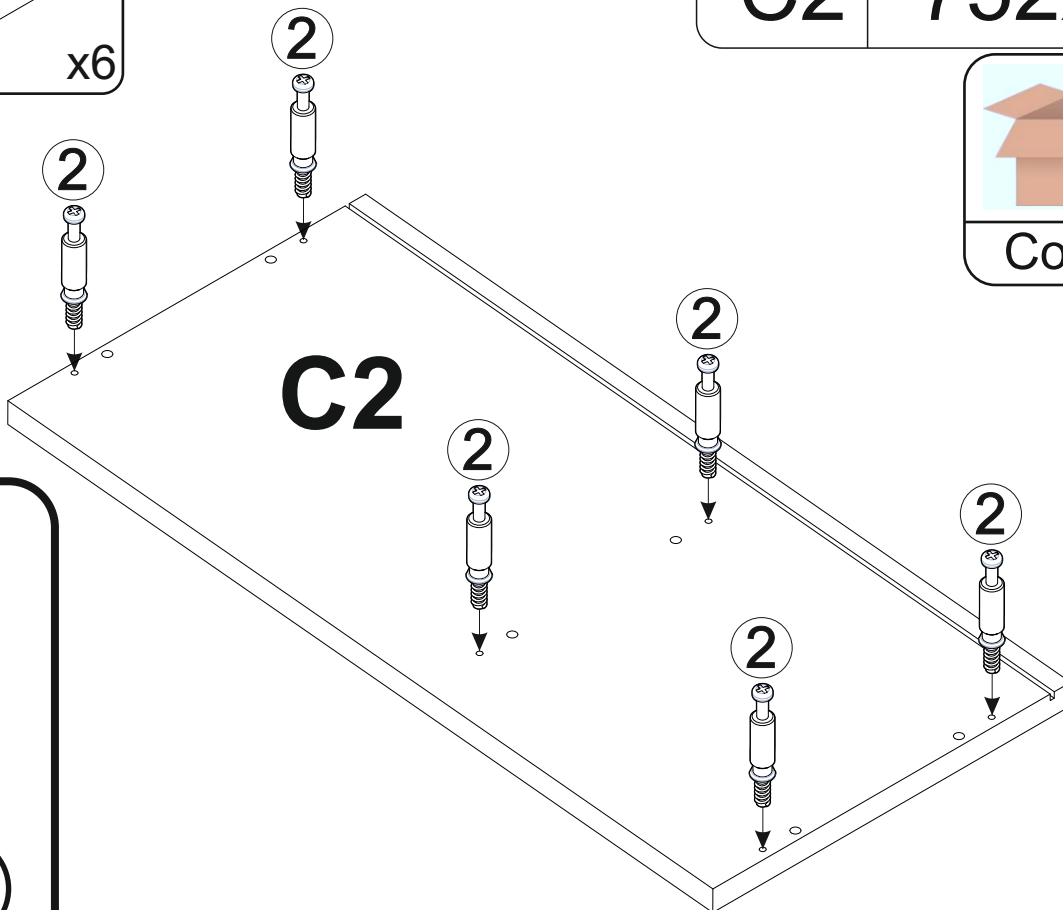
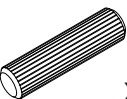


1**2**

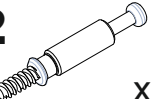
x6

C2**752x350**

Colli nr 2

**2****2****1**

x4

2

x2

54

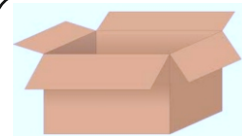
ø35

x3

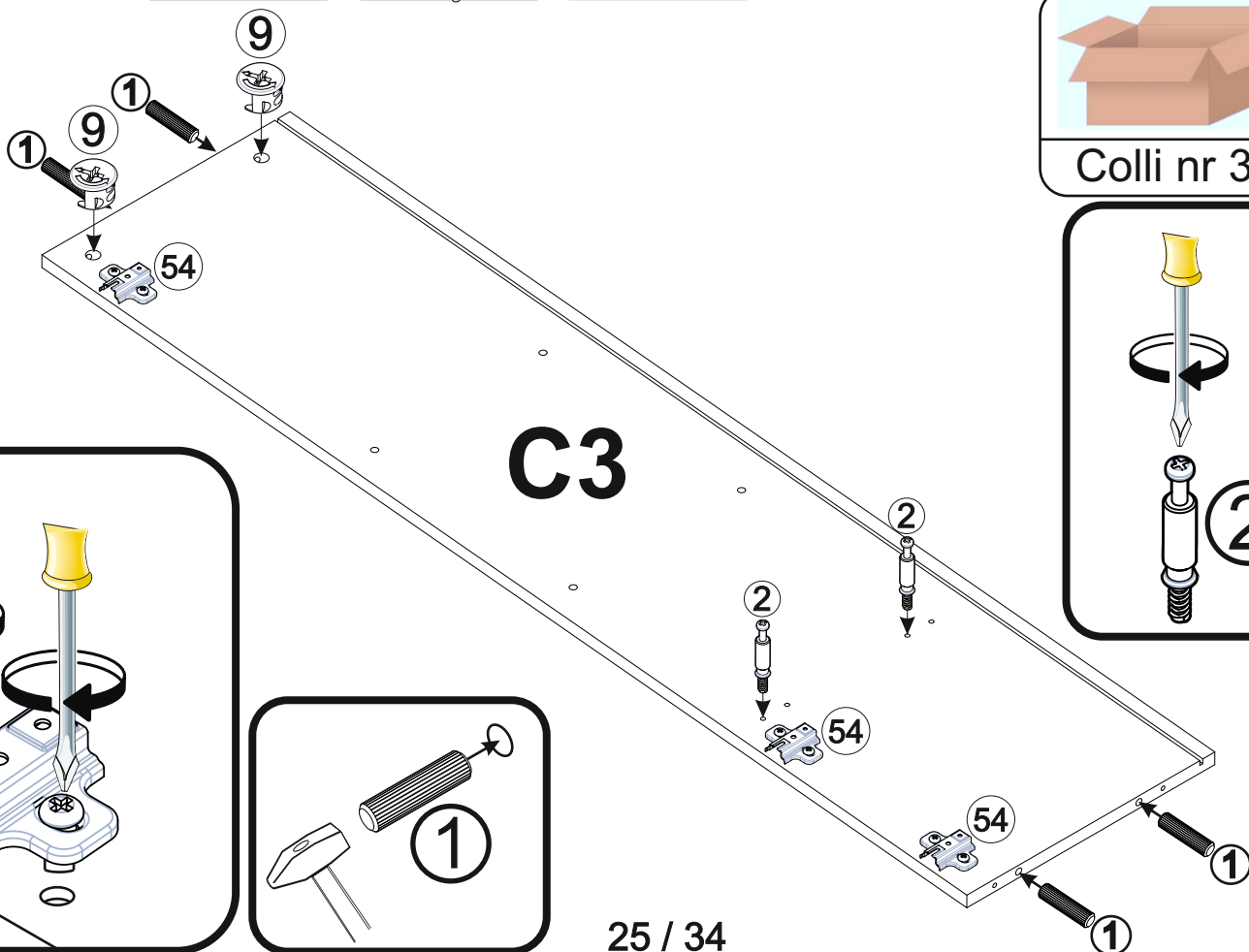
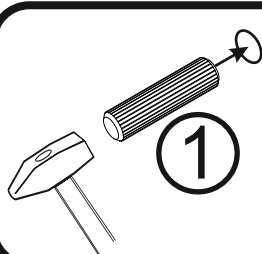
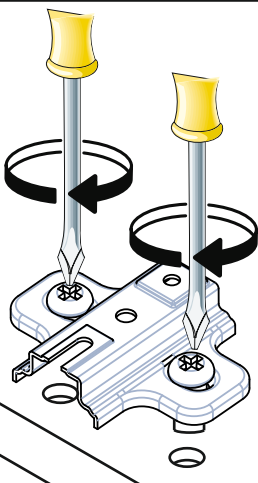
9

ø15

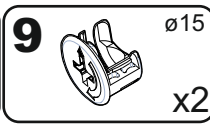
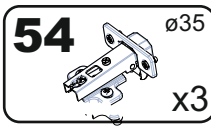
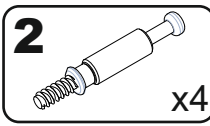
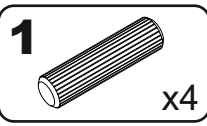
x2

C3**1342x330**

Colli nr 3

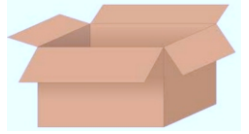
**C3****1****2**

3

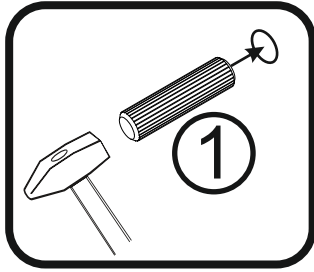
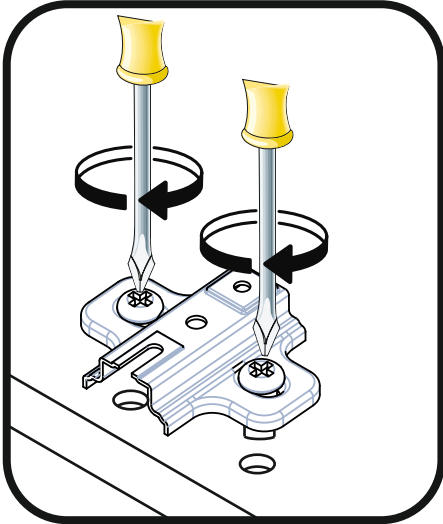
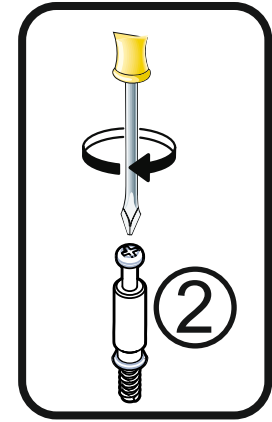
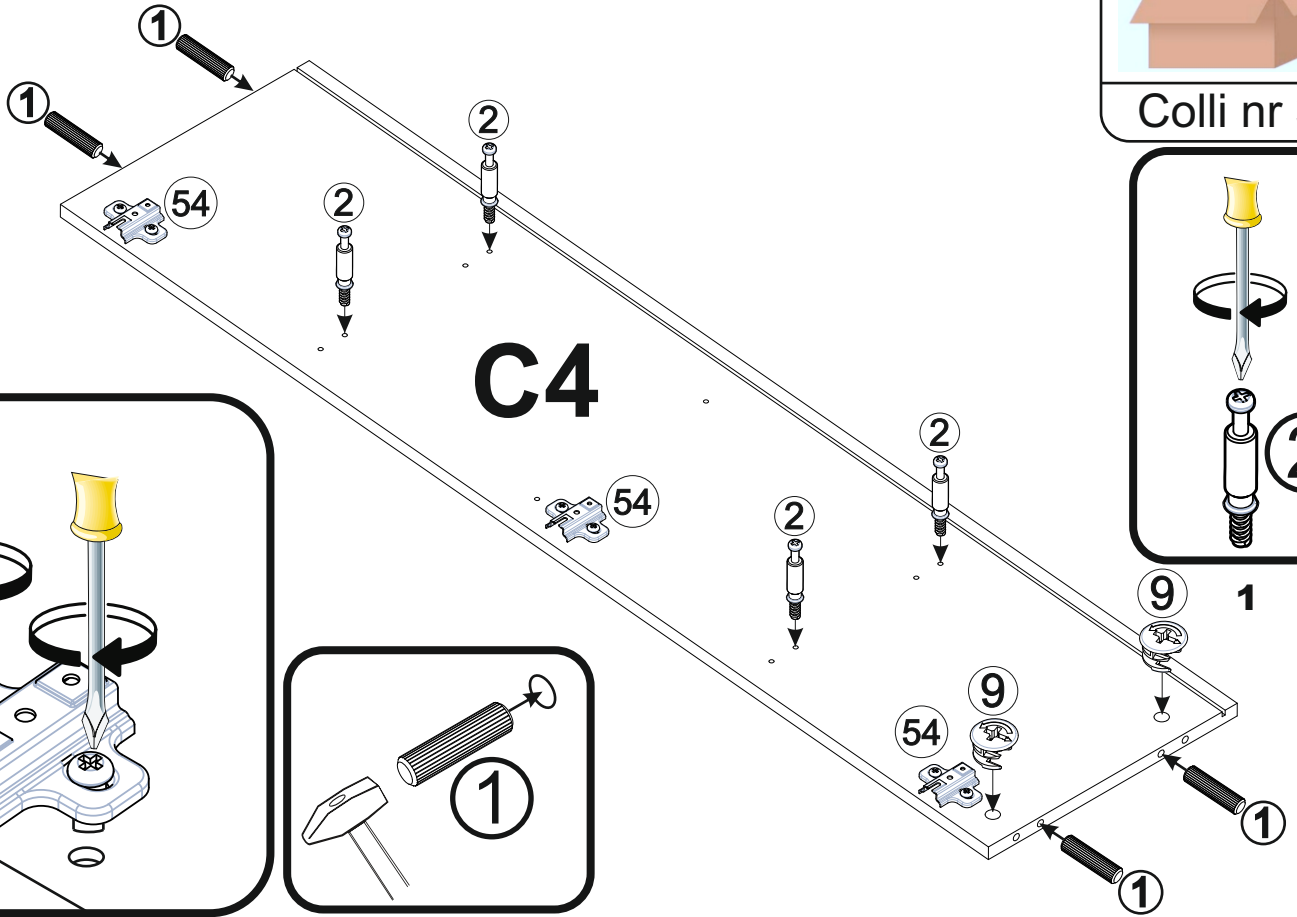


C4

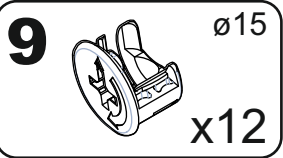
1342x330



Colli nr 3



4



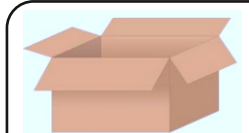
C9

416x300

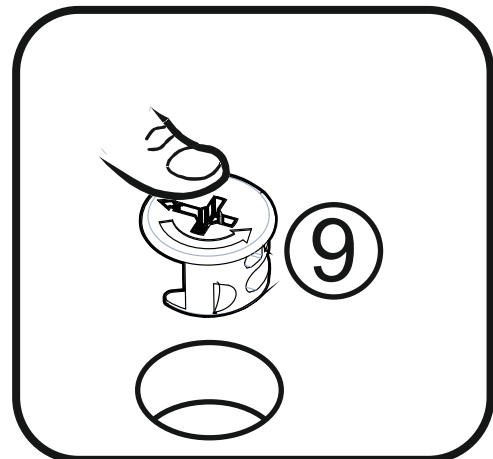
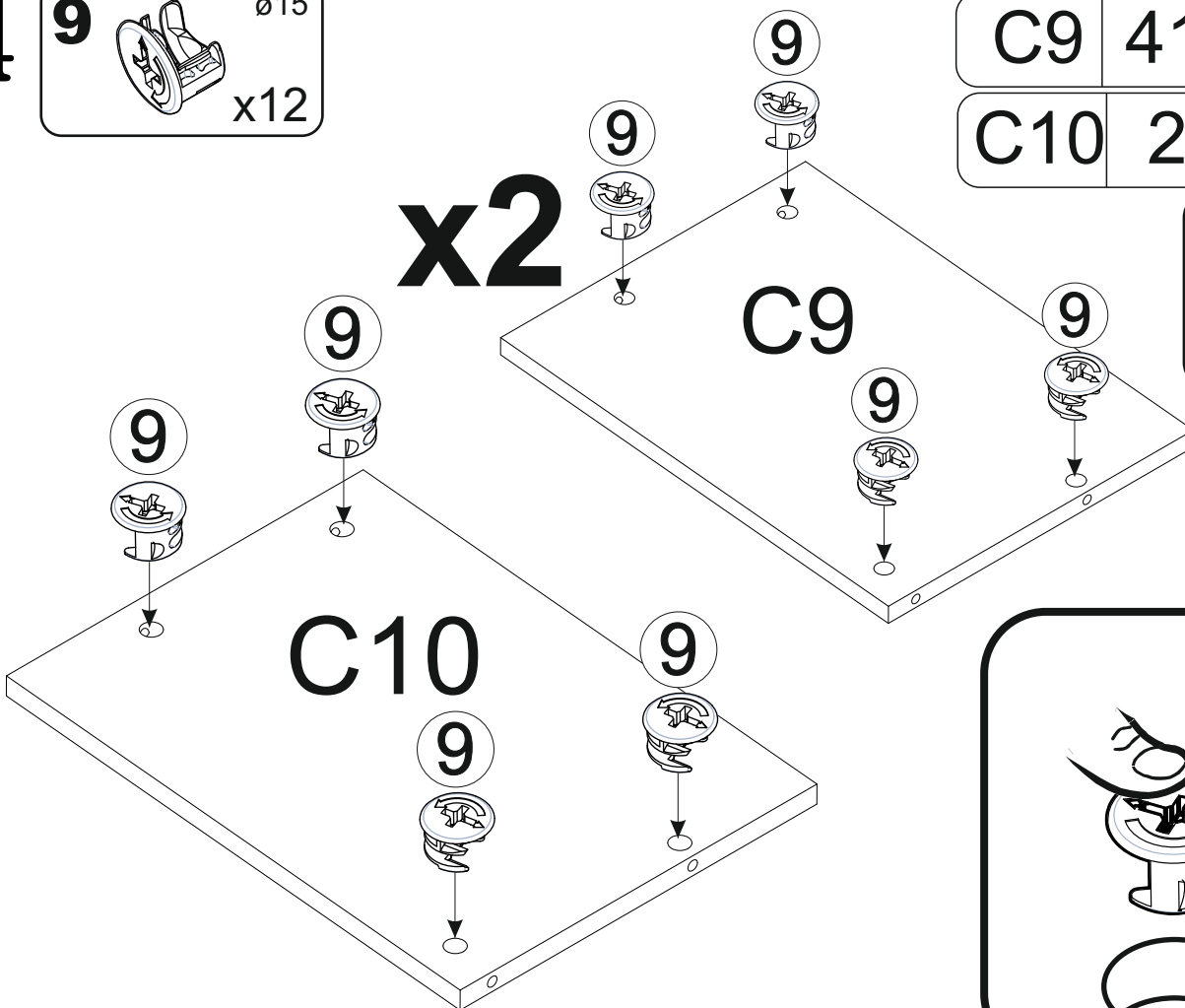
C10

286x300

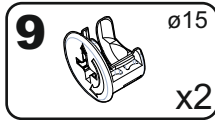
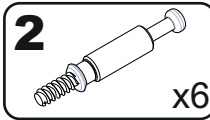
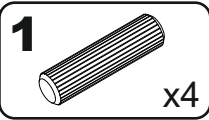
x2



Colli nr 4

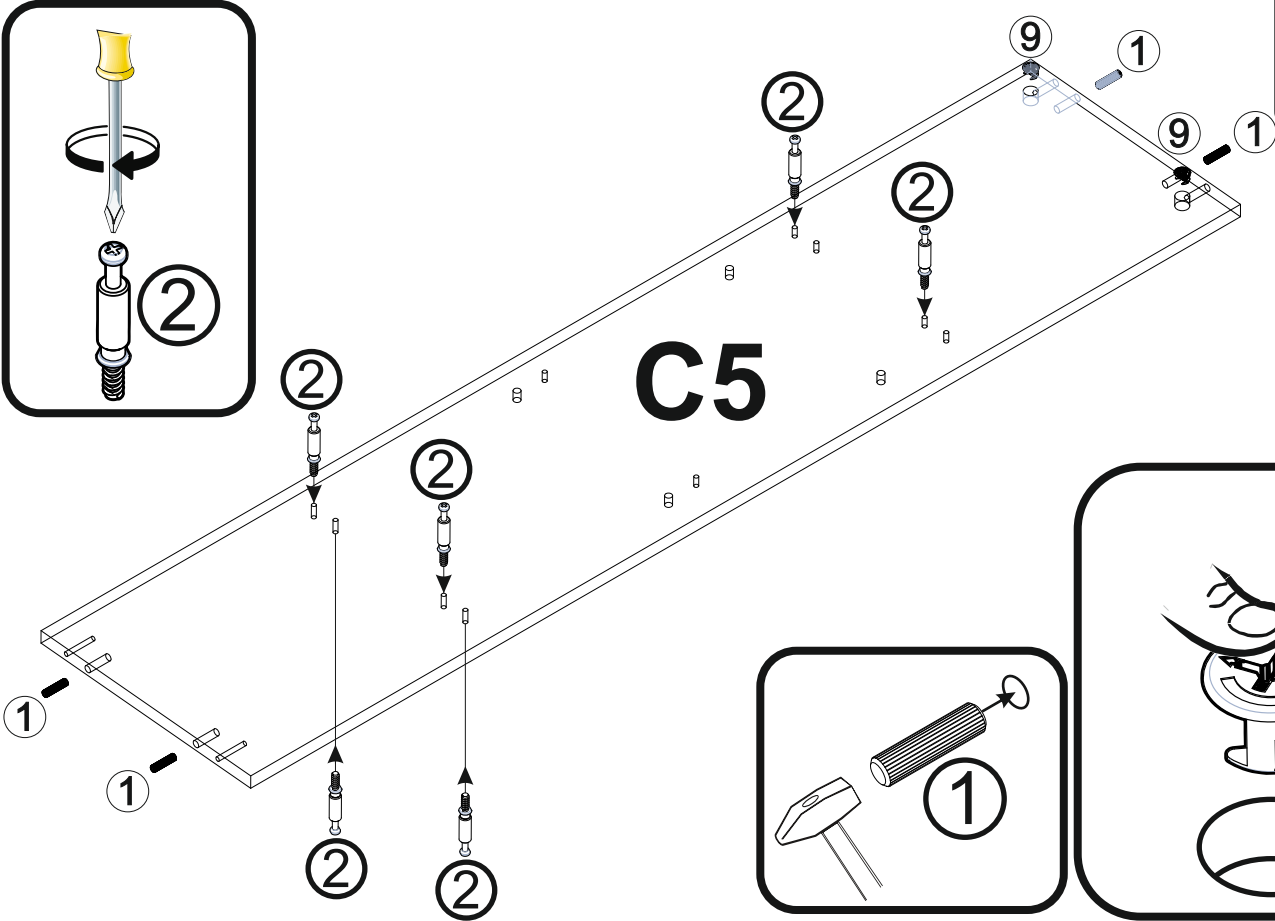
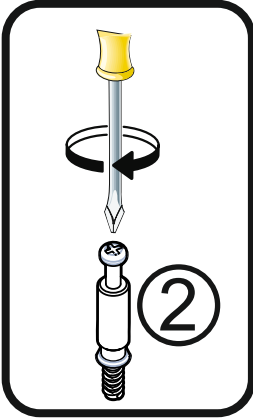
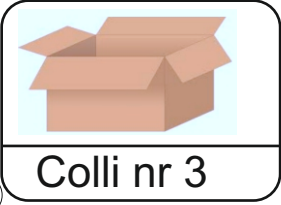


5

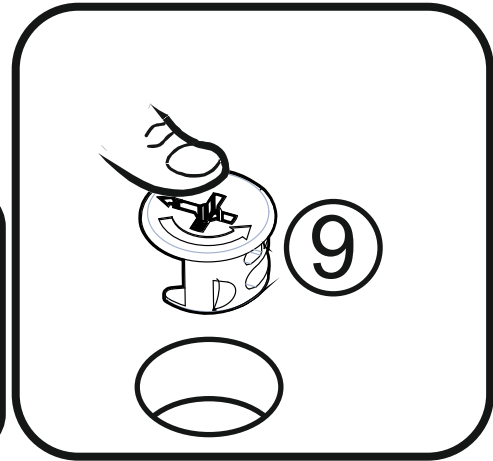
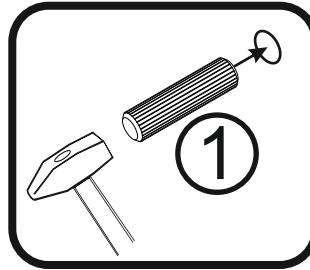


C5

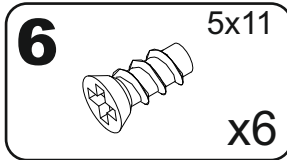
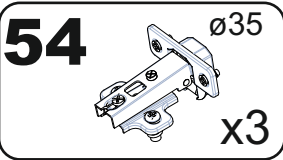
1342x310



C5

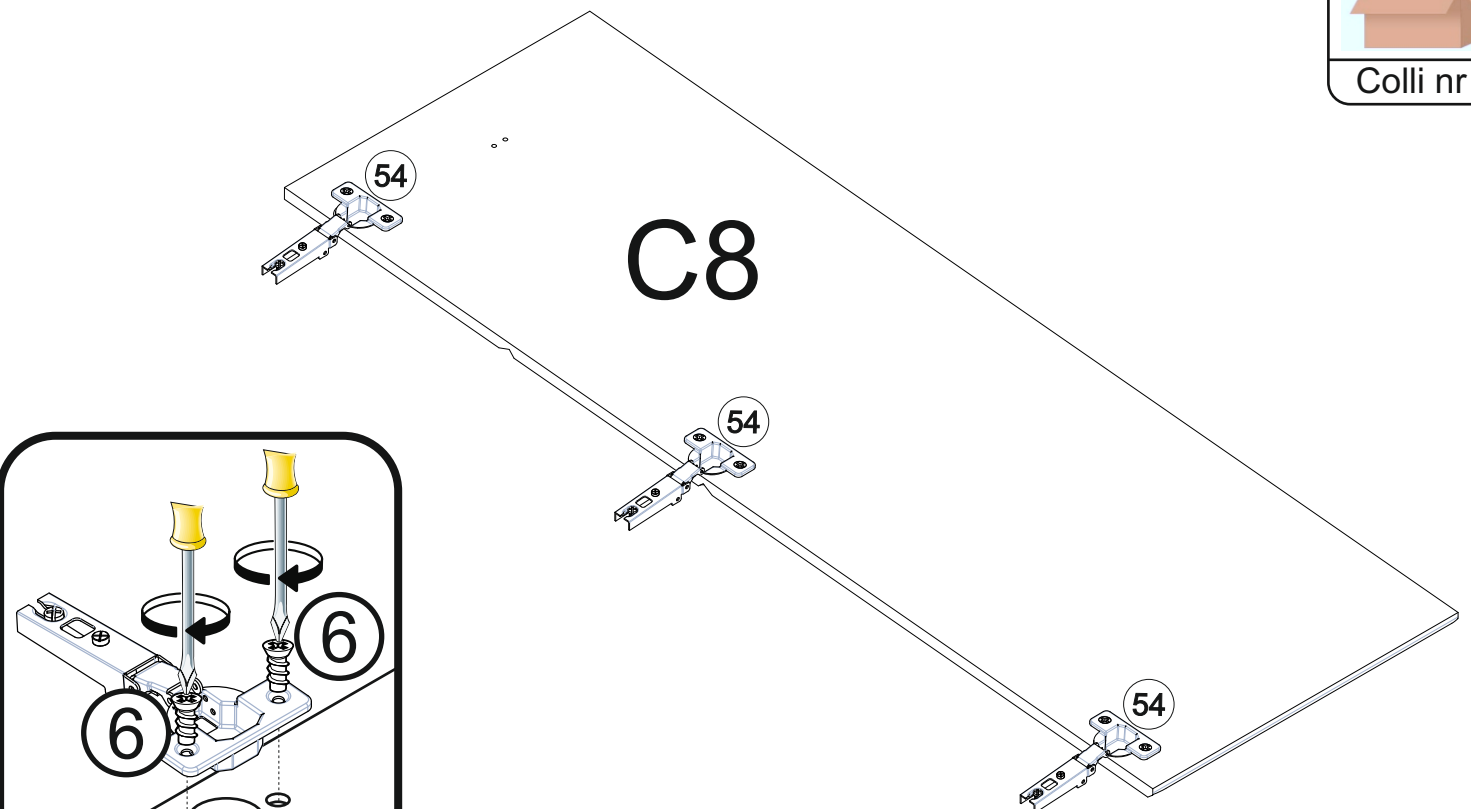
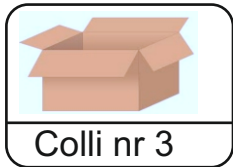


6

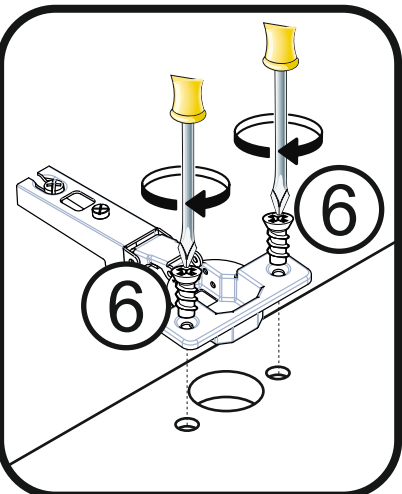


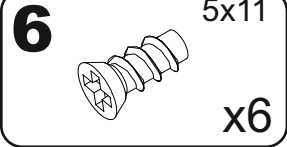
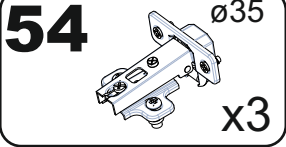
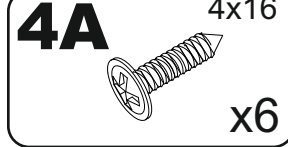
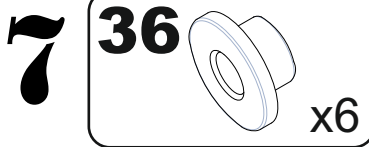
C8

1352x436



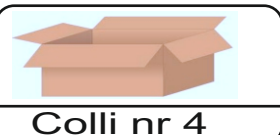
C8



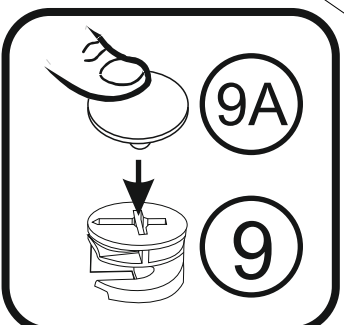
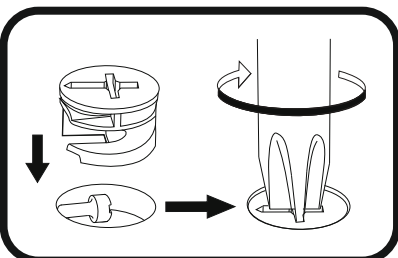
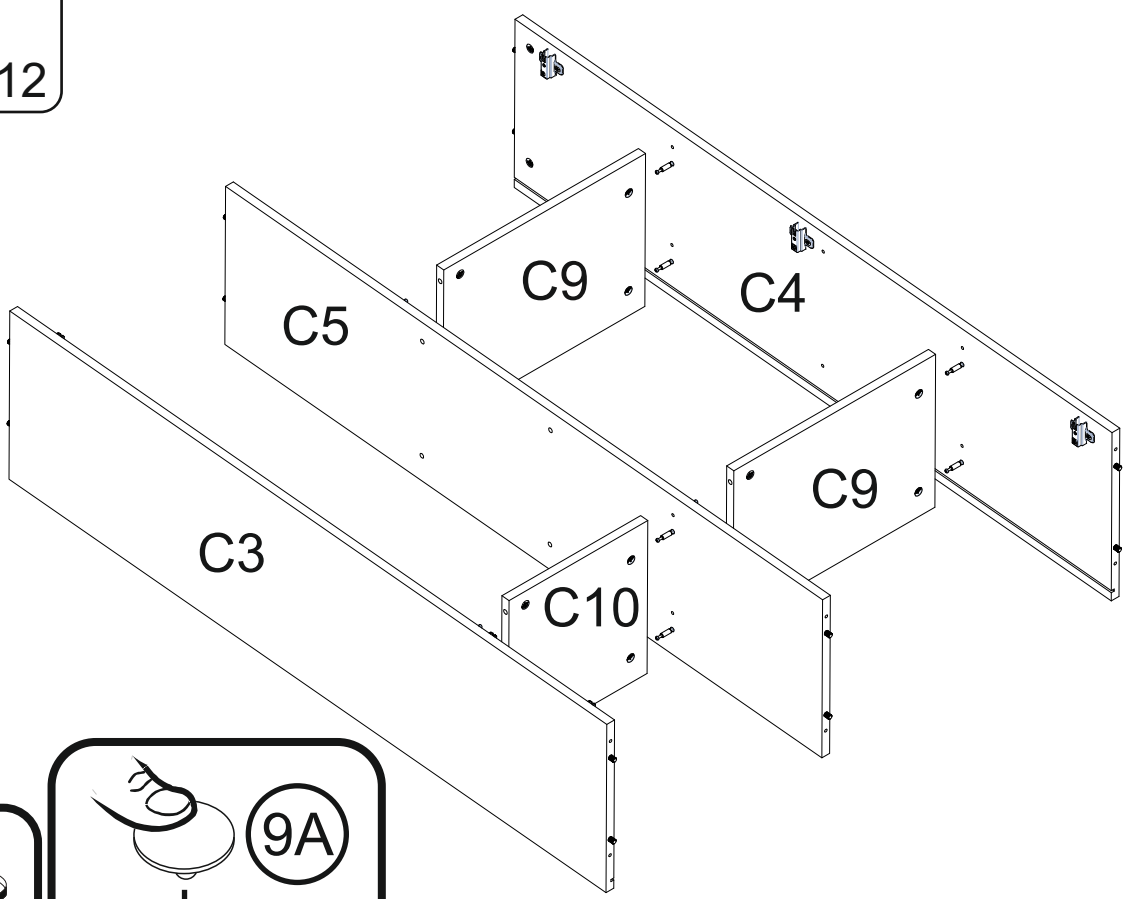
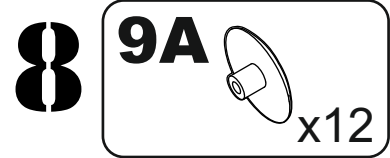
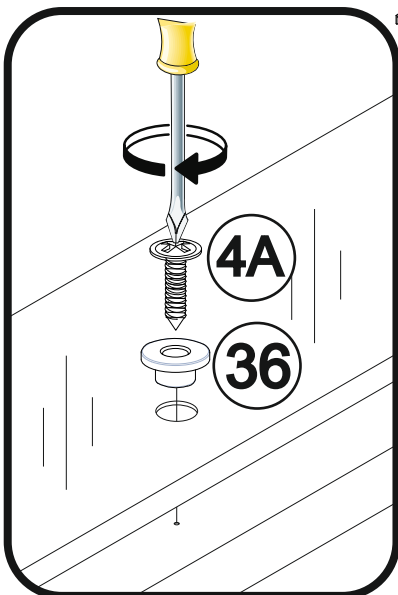
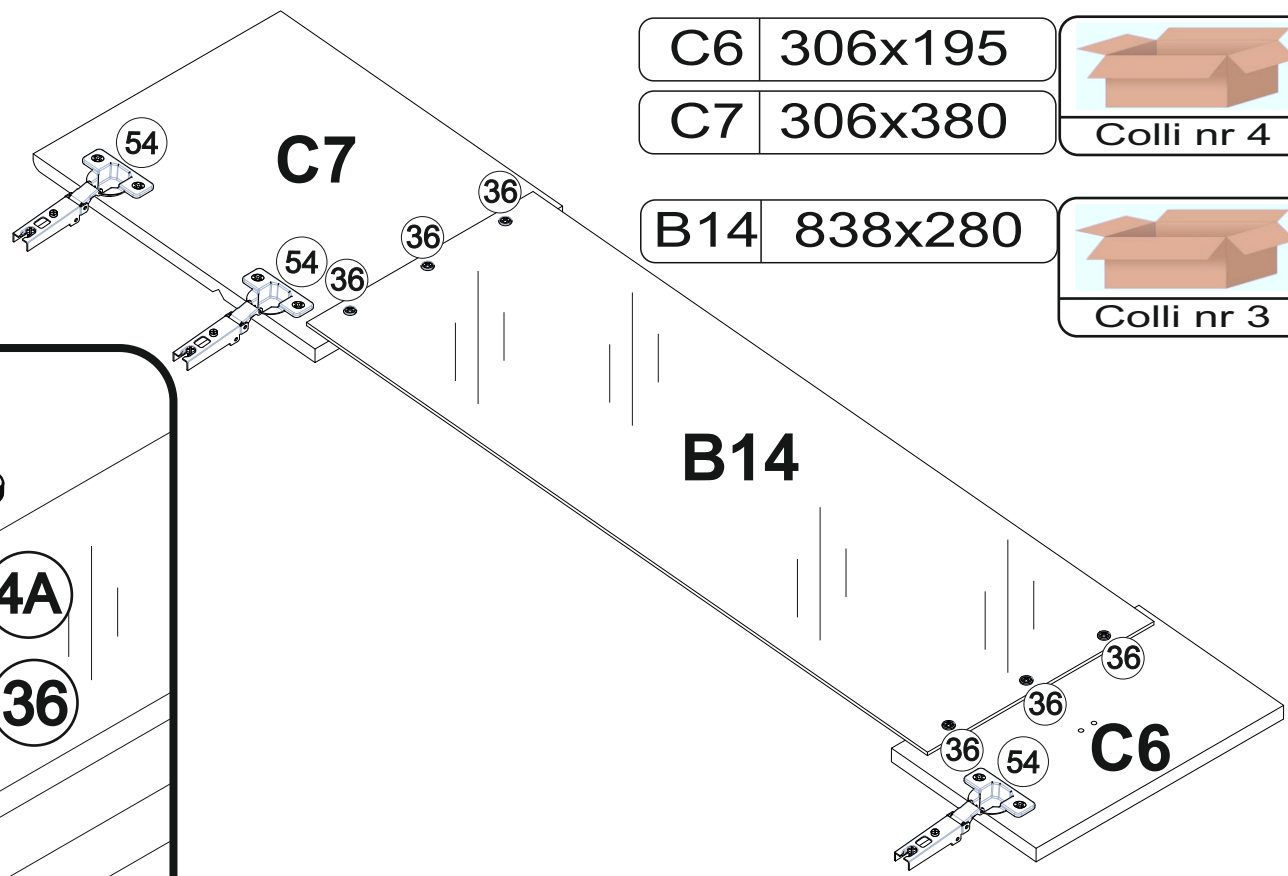


C6 306x195

C7 306x380

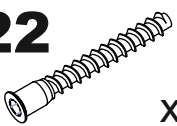


B14 838x280



9

22



x6

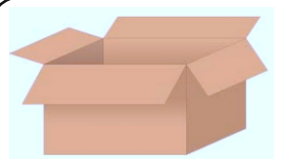
22A



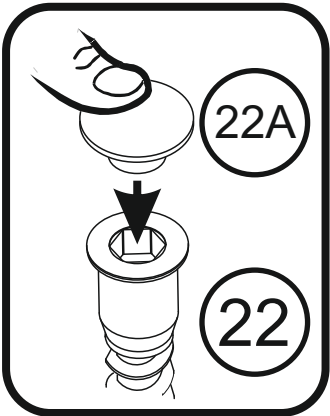
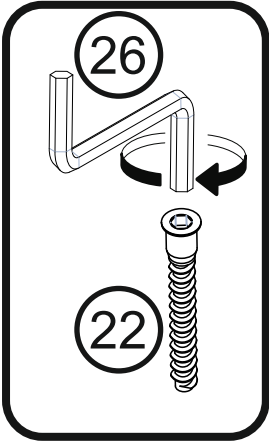
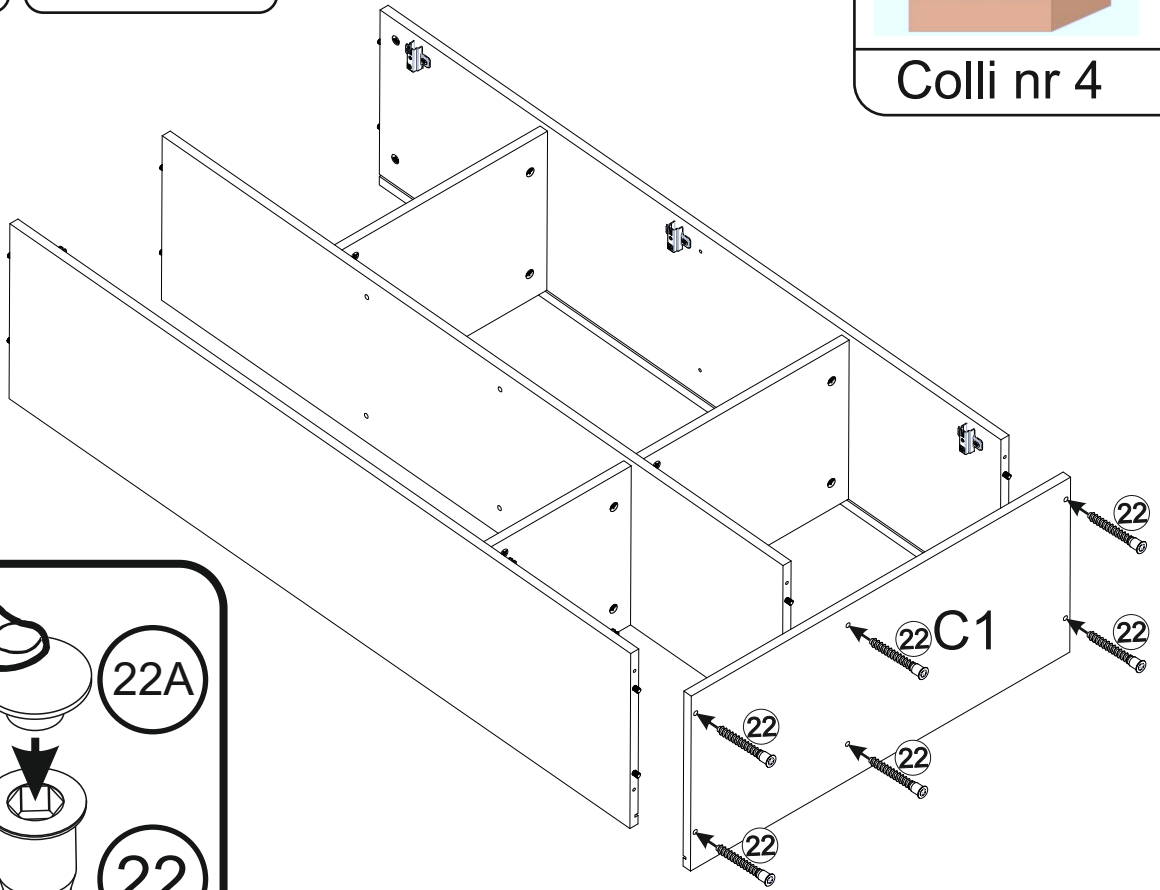
x6

C1

752x330



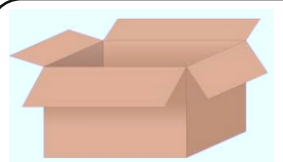
Colli nr 4



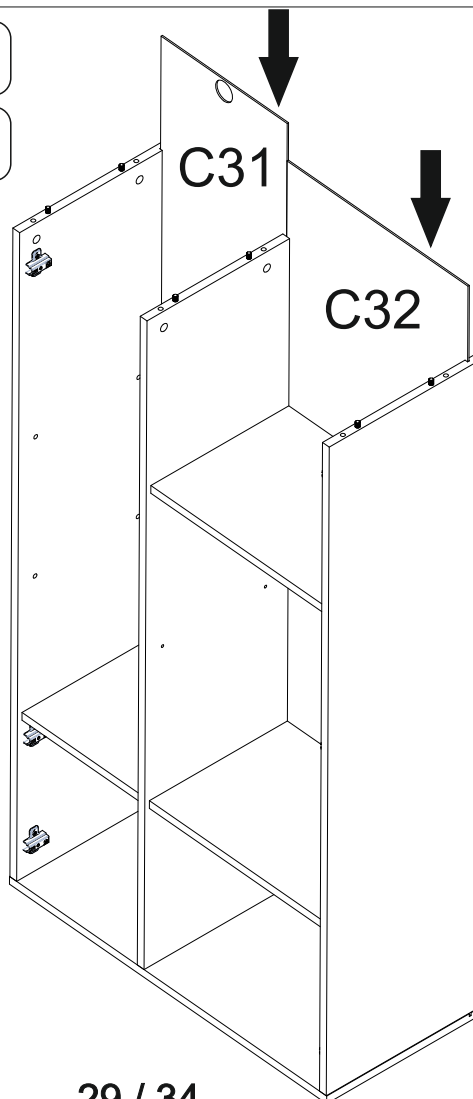
10

C31 1352x299

C32 1352x429

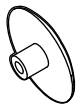


Colli nr 3

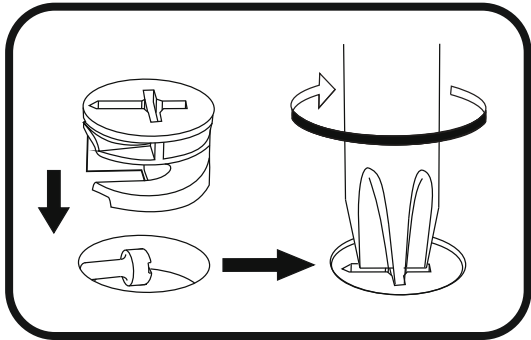
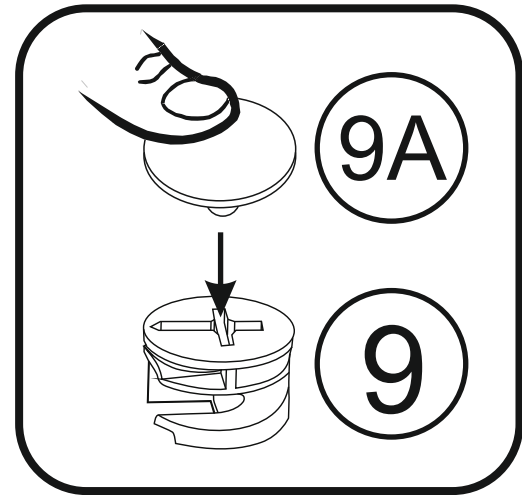
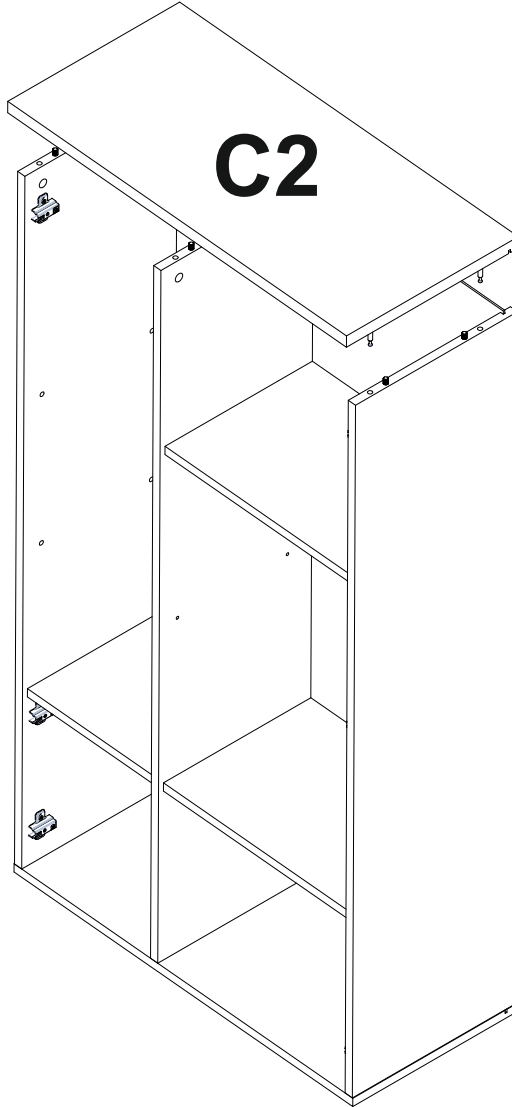


11

9A

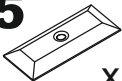


x6



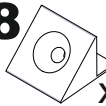
12

35



x13

38



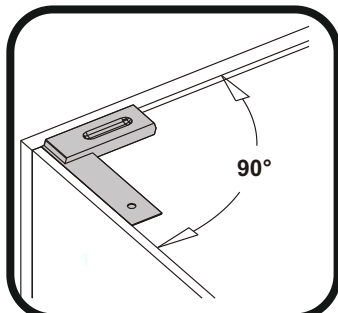
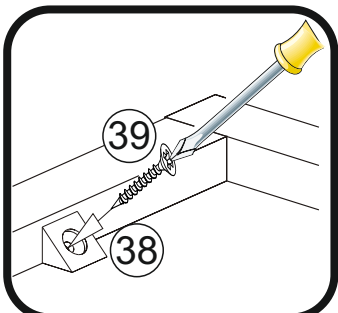
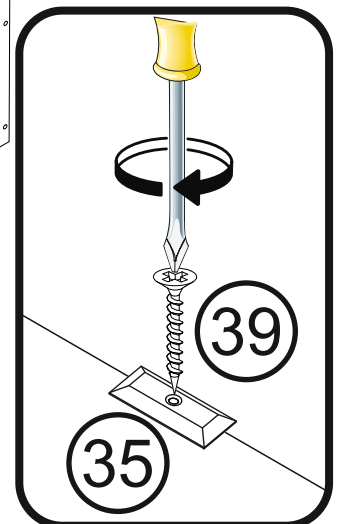
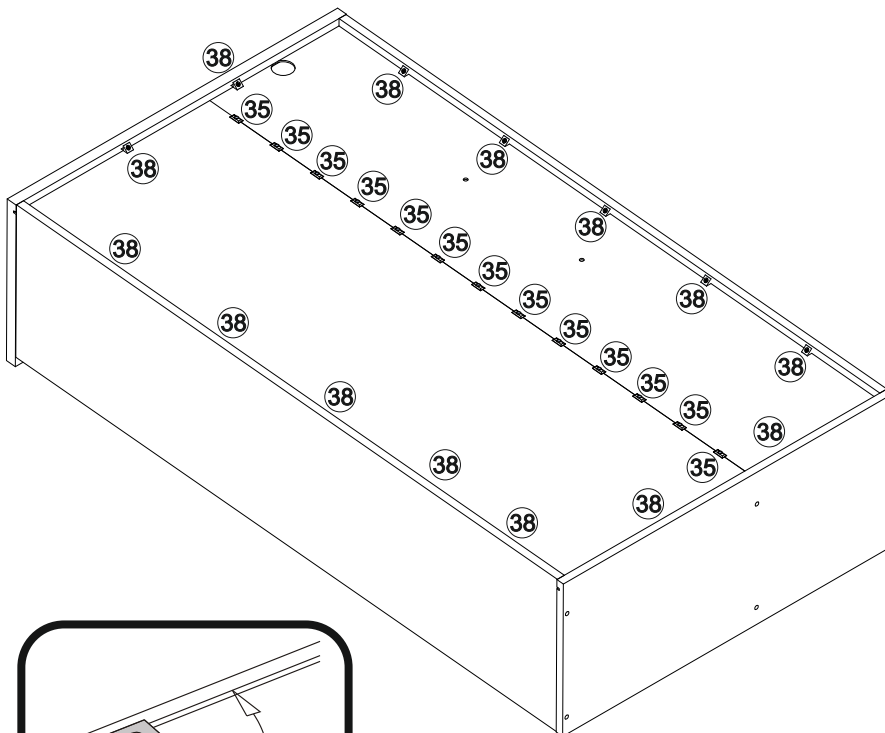
x14

39

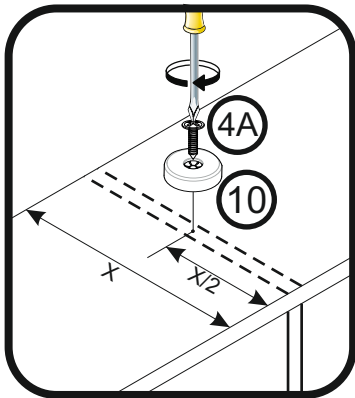
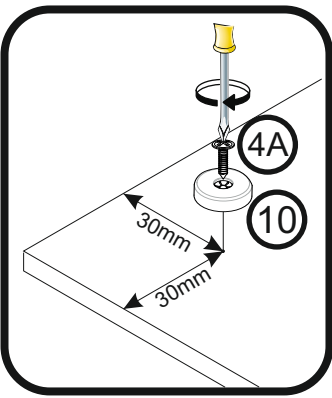
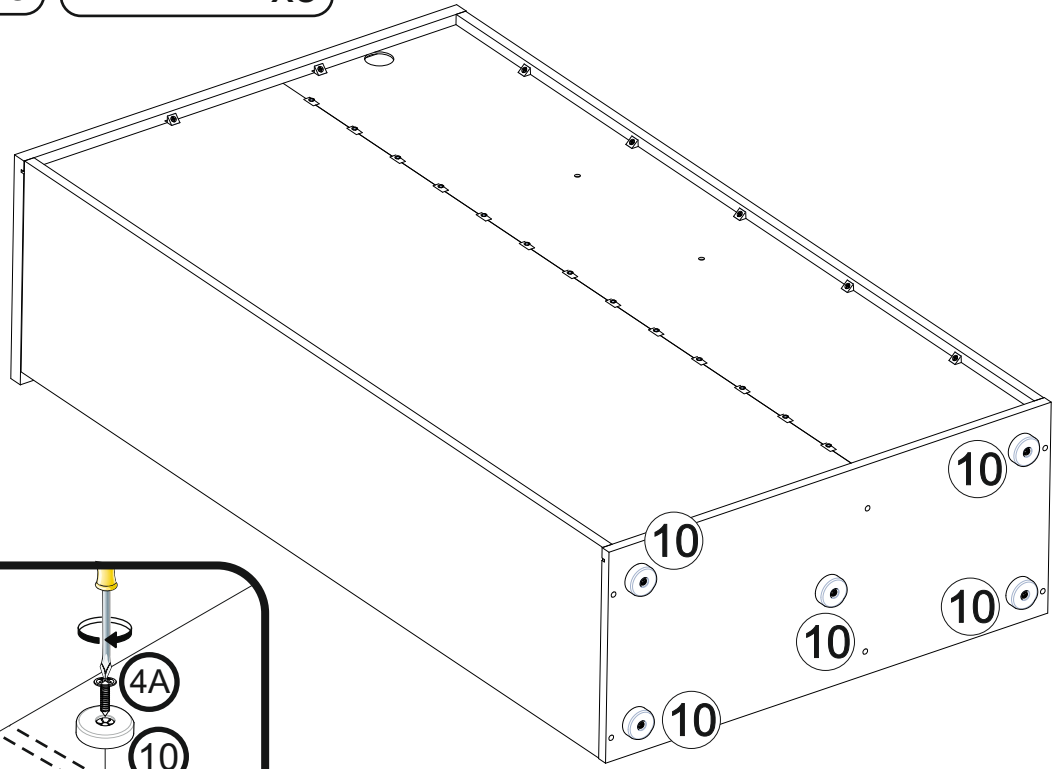
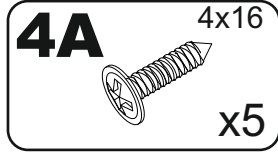
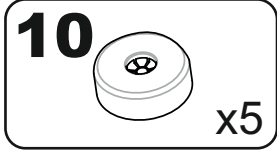


3x20

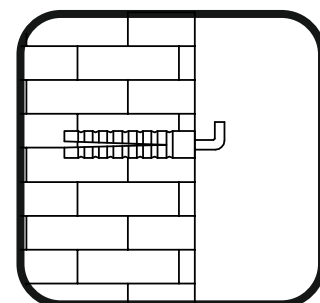
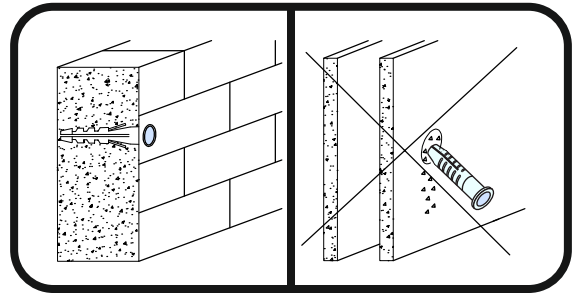
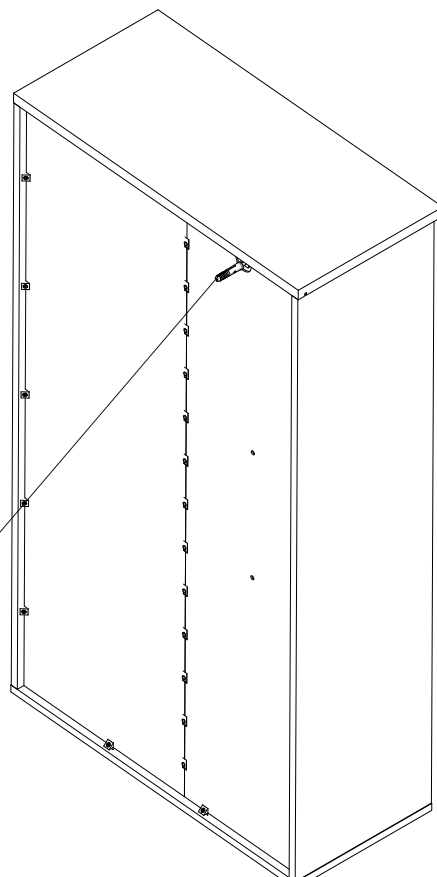
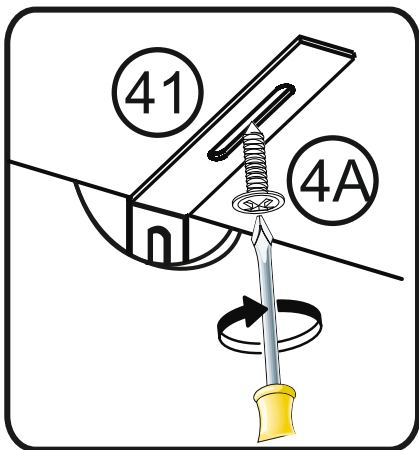
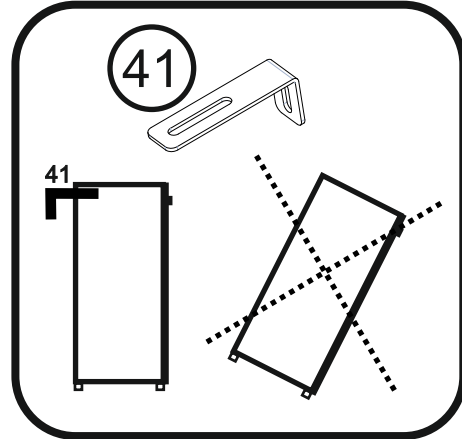
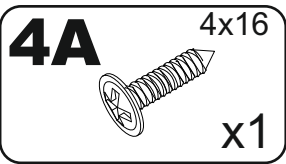
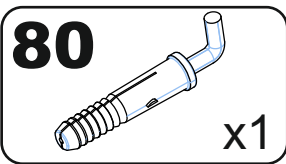
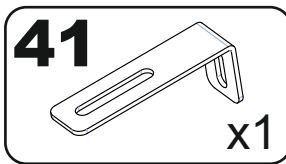
x27



13

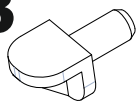


14



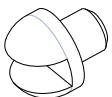
15

13



x4

14



x8

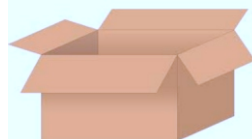
C11

416x300

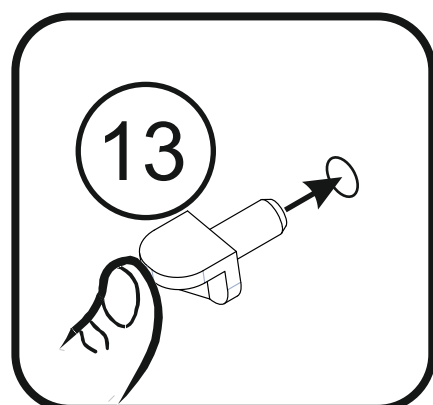
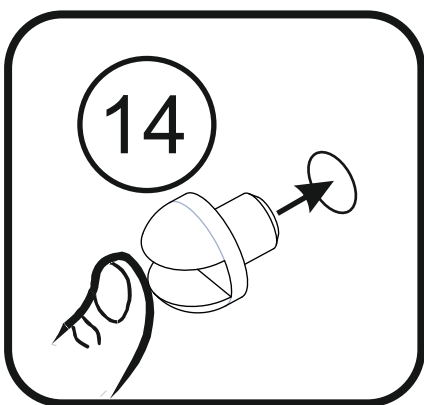
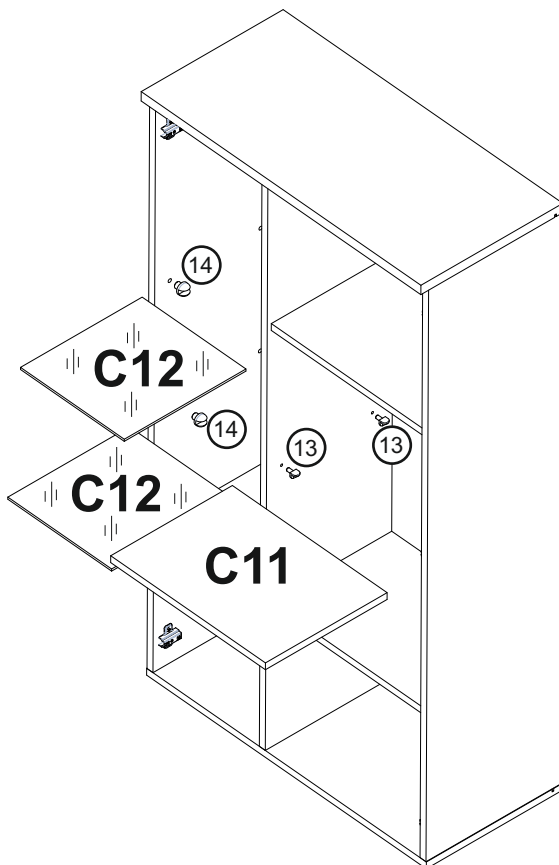
C12

279x300

x2

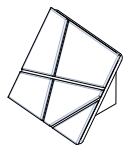


Colli nr 4

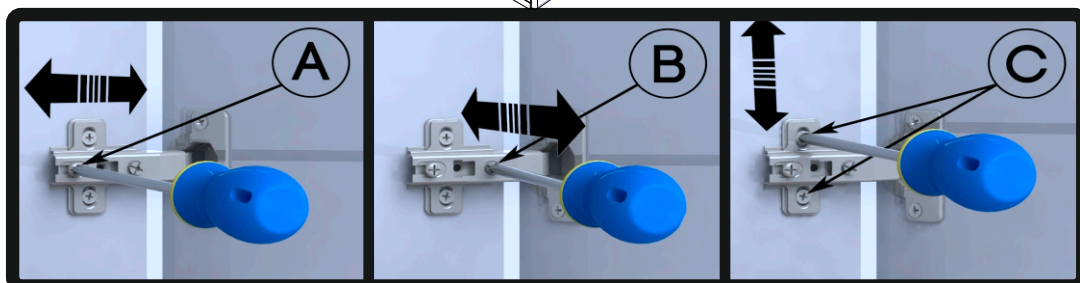
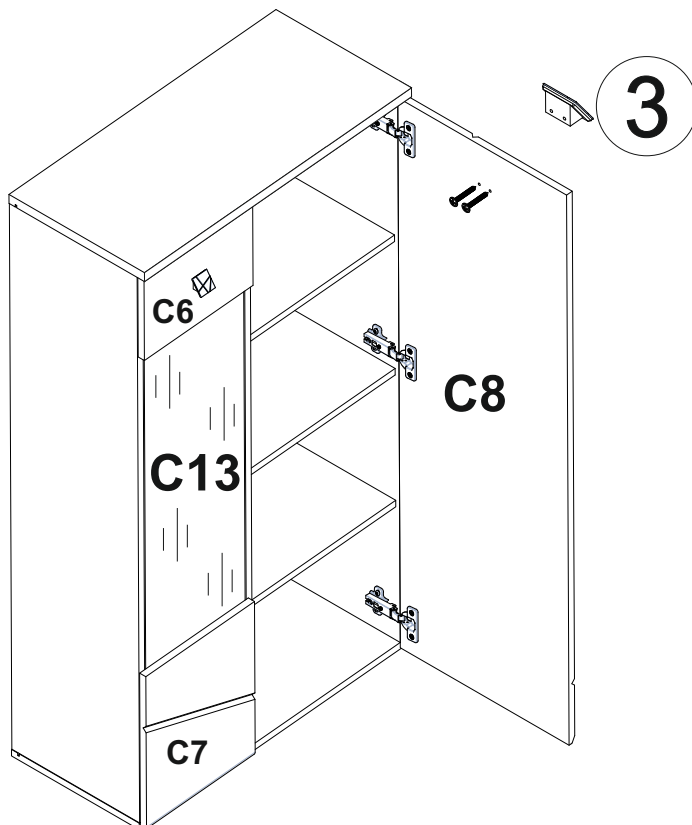
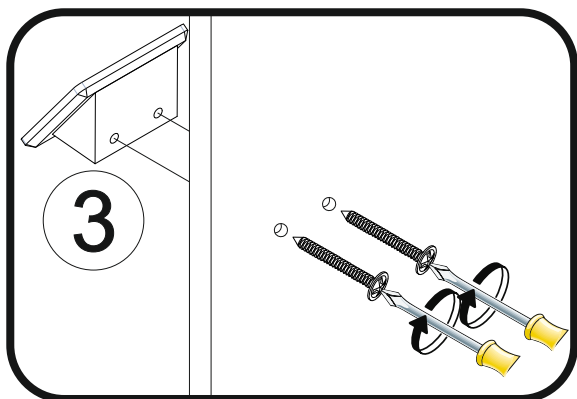


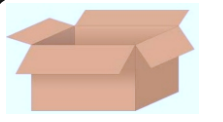
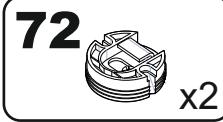
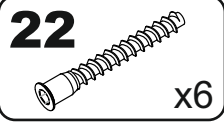
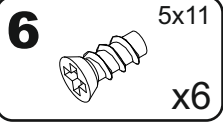
16

3



x2

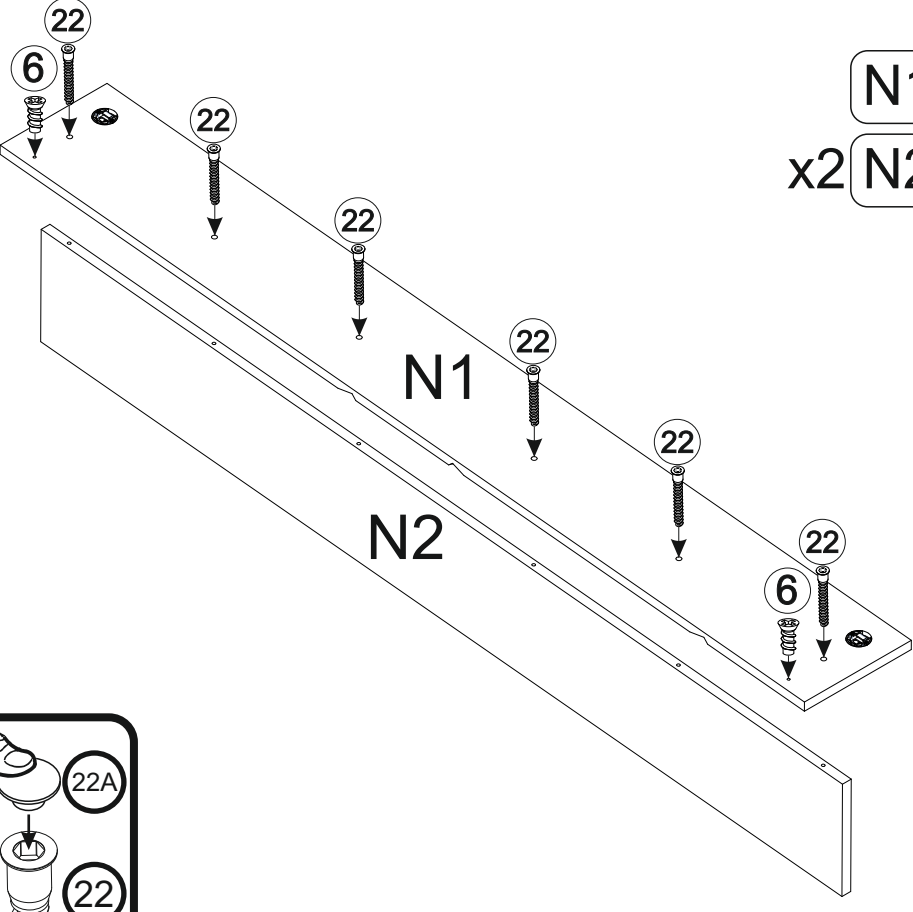
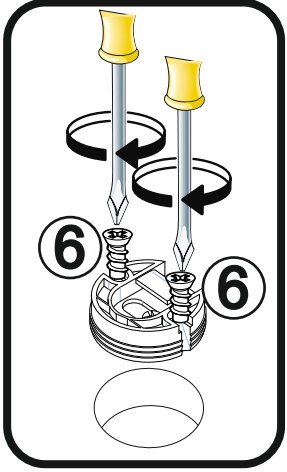
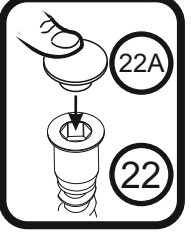
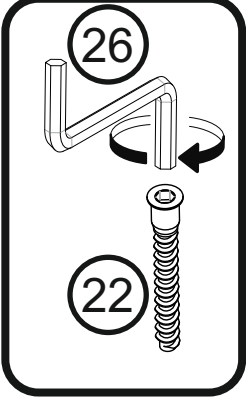
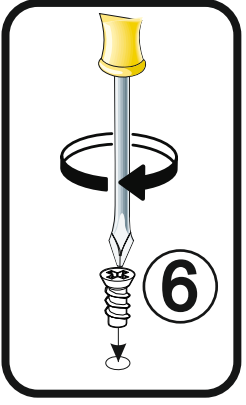
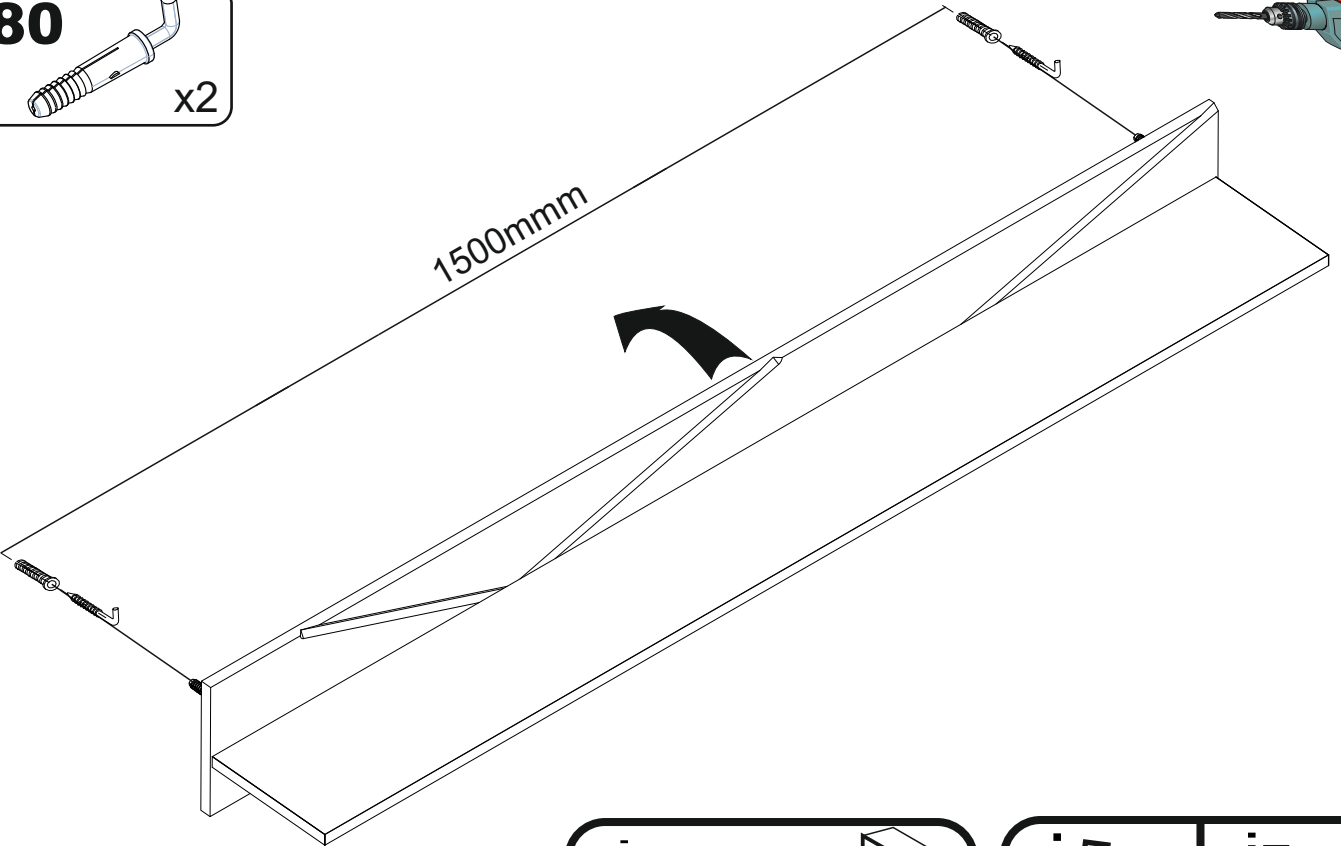
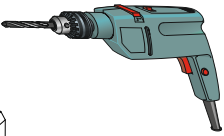
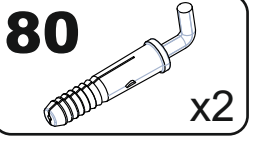


1

Colli nr 2

N1 1600x195

x2 N2 1594x195

**2**

33 / 34

